



EXCAVATORS

WHOLEGOODS PRICE LIST EFFECTIVE March 1st, 2021

These pages are a complete revision of this section of your price book.
All prices are effective March 1st, 2021

- NEW U48-5 Excavator - pg.46
- NEW U55-5 Excavator - pg. 51
- NEW KX057-5 Excavator - pg. 63
- K7283 - Keyless Start - U48-5, U55-5, KX057-5 - pgs. 49, 55, 68
- K7284 - Rearview Camera - U48-5, U55-5, KX057-5 - pgs. 49, 55, 68
- K7286 - Air Ride Suspension Seat - U48-5, U55-5, KX057-5 - pgs. 49, 55, 68
- K7281 - Front Guard - U48-5, U55-5, KX057-5 - pgs. 49, 55, 68
- K7849 - KX040-4 Hydraulic Quick Coupler - pgs.41
- K7813 - KX040-4 Hydraulic Quick Coupler Completion Kit - pgs. 41
- Added KubotaNOW Telematics Services for all model excavators - pgs. 6, 9, 14, 18, 22, 26, 31, 36, 43, 50, 56, 61, 68, 73, 81



This page intentionally left blank.

KUBOTA

Page Number	Model	Basic Unit	Dig Depth	Factory #	Appx WT	SLP
15-5	K008T4	ROPS	5'8"	K17K330A28	1885	\$22,803.00
15-7	U17VR1	ROPS	7'7"	K22K559A84	3814	\$29,684.00
15-11	KX018-4R1	ROPS	7'9"	K24K313A92	3747	\$31,992.00
15-14	U25R1T4	ROPS	9'3"	K26K980A00	5625	\$35,500.00
15-19	U27-4R1	ROPS	9'5"	K28K125A32	5688	\$37,007.00
15-23	KX71-3S4R1	ROPS	9'9"	K30K531A48	6550	\$40,173.00
15-27	KX033-4R1	ROPS/straight	10'6"	K35K008A64	6978	\$46,064.00
15-33	U35-4R1	ROPS/straight	9'9"	K34K545A04	8478	\$45,454.00
15-37	KX040-4R1	ROPS/straight	11'2"	K40K957A92	8576	\$53,892.00
15-46	U48-5R1	ROPS/straight	10' 8"	K46K840A32	12535	\$61,632.00
15-51	U55-5R1	ROPS/straight	11' 11"	K50K847A04	12535	\$66,904.00
15-57	U55-4R1	ROPS/straight	11'10"	K50K343A92	12535	\$66,242.00
15-63	KX057-5R1	ROPS/straight	12' 9"	K54K229A04	12048	\$71,354.00
15-69	KX057-4R1	ROPS/straight	12'8"	K53K691A72	12048	\$70,647.00
15-75	KX080-4S2R3	Cab/straight	15'1"	K81K719A76	18596	\$107,526.00
15-83	Excavator Replacement Engines					
15-84	Popular Quick Attach Bucket Pictures					



This page intentionally left blank.



K008-3T4

Hydraulic Excavator

FEATURES

Rubber Tracks
 2-Post Foldable ROPS
 Variable Width Track Frame
 2 Gear Type Pumps
 Two Operating Pattern Selection System
 Standard Front Dozer Blade
 360 Degree Full Rotation
 55° Left and 60° Right Boom Swing Angle
 5.5 GPM Auxiliary Hydraulics Port
 Five Second Quick Preheat System
 Key Switch Stop System
 Self Bleed Fuel System
 Two Speed Travel

DIMENSIONS

BASIC UNIT

K008-3T4, Rubber tracks, 2-Post Foldable ROPS

DIMENSIONS AND OPERATING WEIGHT

K008-3T4 with K9776 Bucket
 Overall Length 9' 0"
 Overall Width 2'4" ~ 2'10"
 Overall Height 7'4"
 Operating Weight* 2200 lbs.
 Ground Clearance 5.9"

*Includes operator's weight of 175 lbs.

ENGINE

D722 Kubota E-TVCS Tier 4 Final Diesel Engine
 3 Cylinder, 4 Cycle
 10.3 Gross HP (SAE J1995) @ 2050 RPM
 10.1 Net HP (SAE J1349) @ 2050 RPM

OPERATIONAL

Max Digging Depth 5' 8"
 Max Digging Radius @ Ground Level 9' 11"
 Max Vertical Digging Depth 4' 6"
 Max Dumping Height 6' 8"

DOZER BLADE

Width 28"/34"
 Height 7.9"
 Lift Above Ground 7.9"
 Drop Below Ground 7.1"

PERFORMANCE

Digging Force @ Bucket (K9776) 2200 lbs.
 Digging Force @ Dipper Arm 1010 lbs.
 Travel Speed (Low/High) 1.2/2.5 mph
 Climbing Ability 27% / 15°
 Ground Pressure 3.5 psi
 Lift Capacity 660 lbs.
 • Over End
 • Blade Grounded
 • 2 Ft. Load Point Height
 • 6 Ft. Load Radius

KUBOTA**K Series K008-3T4**

ORDER CODE	DESCRIPTION	FACTORY	APPROX.	SUGGESTED LIST
PART 1	MODEL K008T4 BASIC UNIT			
K008T4	Excavator Basic Unit	K17K330A28	1885	\$22,803.00
	With: Rubber Tracks, 2-Post Foldable ROPS, Dozer Blade, Dipper Arm, and Counterweight			
PART 2	BUCKETS			
K9775	10 inch 0.49 cu. ft. Bucket (Welded teeth)	K275A88	36	\$363.00
K9776	14 inch 0.74 cu. ft. Bucket (Welded teeth)	K333A64	44	\$439.00
K7759	8 inch 0.35 cu. ft. H.D. Bucket (Bolt-on teeth)	K443A08	45	\$583.00
K7760	10 inch 0.49 cu. ft. H.D. Bucket (Bolt-on teeth)	K449A92	57	\$592.00
K7768	12 inch 0.63 cu. ft. H.D. Bucket (Bolt-on teeth)	K461A32	53	\$607.00
K7769	16 inch 0.9 cu. ft. H.D. Bucket (Bolt-on teeth)	K514A52	70	\$677.00
PART 3	ATTACHMENTS			
K7748	Two Way Service Port Hydraulic Kit The K7748 converts the auxiliary hydraulics from one way to two way flow. Includes manual, hydraulic hoses, and fittings	K228A76	6	\$301.00
K9797	3" seat belt option As required in some states for OSHA compliance.	K69A92	3	\$92.00
K7802	Spark Arrestor Muffler Kit Optional kit for use in close proximity with grass, brush, timber and similar material with potential for ignition. Requires K7812 Spark	K95A00	7	\$125.00
K7812	Spark Arrestor Screen Required for K7802 installation.	K26A60	4	\$35.00
PART 4	ROPS / OPG (Top Guard, Level I)			
K7787	Replacement 2-Post Foldable ROPS	K602A68	154	\$793.00
PART 5	KubotaNOW Telematics Service (each order will require the DCU6700 modem and model specific wiring harness)			
DCU6700	AT&T Telematics Modem	K300A20	1	\$395.00
K6705	Excavator Telematics Wiring Harness	K98A80	2	\$130.00
	KubotaNOW Telematics Service includes a three (3) year term			



U17VR1

Zero Tail Swing Hydraulic Excavator

FEATURES

Zero Tail Swing
 Short Pitch Rubber Tracks
 ROPS/OPG (Top Guard, Level 1) 4 Post Canopy
 Variable Width Track Frame
 Kubota 3 Hydraulic Pump Design
 1 Gear, 2 Variable Displacement Pumps
 Hydraulic Joystick Controls with Wrist Rests
 Two Operating Pattern Selection System
 Standard Front Dozer Blade with Extensions
 360 Degree Full Rotation
 65° Left and 58° Right Boom Swing Angle
 7.3 GPM Auxiliary Hydraulics Port
 Five Second Quick Preheat System
 Key Switch Stop System
 Self Bleed Fuel System
 Two Speed Travel

BASIC UNIT

U17VR1, Rubber tracks, 4-Post ROPS/OPG
 (Top Guard, Level 1)

DIMENSIONS AND OPERATING WEIGHT

U17VR1, Rubber tracks, 4-Post ROPS/OPG
 (Top Guard, Level 1)

Overall Length	11' 7"
Overall Width	3'3" ~ 4'1"
Overall Height	7'8"
Operating Weight*	3703 lbs.
Ground Clearance	5.9"

*Includes operator's weight of 175 lbs.

ENGINE

D902 Kubota E-TVCS Tier 4 Final Diesel Engine
 3 Cylinder, 4 Cycle
 16.1 Gross HP (SAE J1995) @ 2300 RPM
 15.1 Net HP (SAE J1349) @ 2300 RPM

OPERATIONAL DIMENSIONS

Max Digging Depth	7' 7"
Max Digging Radius @ Ground Level	12' 7"
Max Vertical Digging Depth	6' 3"
Max Dumping Height	8' 0"

DOZER BLADE DIMENSIONS

Width	3'3"/4'1"
Height	10.3"
Lift Above Ground	11.0"
Drop Below Ground	7.5"

PERFORMANCE

Digging Force @ Bucket (K7970)	3417 lbs.
Digging Force @ Dipper Arm	1918 lbs.
Travel Speed (Low/High)	1.4/2.6 mph
Climbing Ability	36% / 20°
Ground Pressure	3.8 psi
Lift Capacity	1140 lbs.

- Over End
- Blade Grounded
- 2 Ft. Load Point Height
- 8 Ft. Load Radius



K Series U17VR1

HOW TO SELECT A U17VR1 EXCAVATOR (Sample Order Information Page)

Below is an example of a complete U17VR1 order. To submit your order, please select the Basic Unit Model that you desire from Part 1. Then select the attachments from Parts 2 and 3 needed to complete your order.

STEP 1)	Select from Part 1 the Basic Unit that fits your needs. For example, choose a U17VR1 and get: Base Model, rubber tracks, 4-post ROPS/OPG (Top Guard, Level I) canopy, dozer blade, dipper arm and counterweight.
STEP 2)	Select from Parts 2 and 3 the attachments necessary to make the unit a complete machine. Choose buckets and quick couplers .

(SAMPLE ORDER)

ORDER CODE	DESCRIPTION	FACTORY NUMBER	APPROX. SHIP WT.	SUGGESTED LIST PRICE
STANDARD UNIT U17VR1 COMPLETE ORDER AND PRICE				
BASIC UNIT:				
U17VR1	EXCAVATOR WITH: Rubber Tracks 4-Post ROPS/OPG (Top Guard, Level I) Canopy Dozer Blade Dipper arm Counterweight	K22K559A84	3814	\$29,684.00
ATTACHMENTS:				
K7966A	Quick Coupler	K626A24	20	\$824.00
K7970A	18" 1.5 cu. ft. Trenching Bucket	K539A60	115	\$710.00
				\$31,218.00



K Series U17VR1

ORDER CODE	DESCRIPTION	FACTORY NUMBER	APPROX. SHIP WT.	SUGGESTED LIST PRICE
PART 1	MODEL U17 BASIC UNITS			
U17VR1	Excavator Basic Unit With: Rubber Tracks, 4-Post ROPS/OPG (Top Guard, Level I) Canopy,	K22K559A84	3814	\$29,684.00
PART 2	BUCKETS			
	PIN-ON BUCKETS			
K7779A	9 inch 0.52 cu. ft. 2-Hole H. D. Bucket	K523A64	57	\$689.00
K7780A	12 inch 0.74 cu. ft. 2-Hole H. D. Bucket	K540A36	82	\$711.00
K7781	16 inch 0.95 cu. ft. 2-Hole H. D. Bucket	K596A60	94	\$785.00
K7785	18 inch 1.1 cu. ft. 2-Hole H. D. Bucket	K741A00	95	\$975.00
	QUICK ATTACH BUCKETS			
K7966A	Quick Coupler Includes two mounting pins, 1 locking pin, and	K626A24	20	\$824.00
K7967A	9 inch 0.78 cu. ft. Trenching Bucket	K337A44	86	\$444.00
K7968A	12 inch 1.0 cu. ft. Trenching Bucket	K435A48	92	\$573.00
K7969A	16 inch 1.3 cu. ft. Trenching Bucket	K433A96	108	\$571.00
K7970A	18 inch 1.5 cu. ft. Trenching Bucket	K539A60	115	\$710.00
K9607	Bucket Hangers Set of two ear blanks. Converts buckets to quick coupler style.	K194A56	12	\$256.00
PART 3	ATTACHMENTS			
K9919	Canopy Work Light Kit	K98A80	4	\$130.00
K9773	Travel Alarm Kit Emits an audible signal when traveling forward or reverse	K257A64	7	\$339.00
PART 4	ROPS / OPG (Top Guard, Level I)			
K9782	REPLACEMENT 4-POST ROPS / OPG (Top Guard, Level I) CANOPY	K1K105A04	20	\$1,454.00
K9943A	RETRACTABLE SEAT BELT OPTION (3") As required in some states for OSHA compliance.	K71A44	3	\$94.00
	Available from Parts			
	70000-01602 Screen Type Spark Arrestor			
	77700-08686 Strobe Light, Class 2, LED, flashing strobe w/ vacuum magnetic mounting			
	77700-08687 Rotating Beacon, Class 1, halogen (beacon light only) w/ magnetic mounting			
	77700-10379 Wire harness needed for installation of Strobe (77700-08686) and Beacon (77700-08687)			
PART 5	KubotaNOW Telematics Service (each order will require the DCU6700 modem and model specific wiring harness)			
DCU6700	AT&T Telematics Modem	K300A20	1	\$395.00
K6706	Excavator Telematics Wiring Harness	K98A80	2	\$130.00
	KubotaNOW Telematics Service includes a three (3) year term			



This page intentionally left blank.

KUBOTA**KX018-4****Hydraulic Excavator****FEATURES**

Short Pitch Rubber Tracks
ROPS/OPG (Top Guard, Level 1) 4 Post Canopy or Heated Cab
Suspension Seat
Variable Width Track Frame
Kubota 4 Hydraulic Pump Design
2 Gear; 2 Variable Displacement Pumps
Hydraulic Joystick Controls with Wrist Rests
Two Operating Pattern Selection System
Standard Front Dozer Blade with Extensions
360 Degree Full Rotation
75° Left and 60° Right Boom Swing Angle
7.4 GPM Auxiliary Hydraulics Port
Five Second Quick Preheat System
Key Switch Stop System
Self Bleed Fuel System
Auto-downshift Two Speed Travel System

BASIC UNIT

KX018-4R1, Rubber tracks, 4-Post ROPS/OPG (Top Guard, Level 1) Canopy, Dipper Arm, Counterweight
KX018-4R2, Rubber tracks, 4-Post ROPS/OPG (Top Guard, Level 1) Heated Cab, Dipper Arm, Counterweight

DIMENSIONS AND OPERATING WEIGHT

KX018-4R1, Rubber tracks, 4-Post ROPS/OPG (Top Guard, Level 1) Canopy, Dipper Arm, Counterweight
Overall Length 12' 2.1"
Overall Width 3'3" / 4'3.2"
Overall Height 7'7.7"
Operating Weight* 3747 lbs.
Ground Clearance 6.3"

*Includes operator's weight of 175 lbs.

ENGINE

D902 Kubota E-TVCS Tier 4 Final Diesel Engine
3 Cylinder, 4 Cycle
16.1 Gross HP (SAE J1995) @ 2300 RPM
15.5 Net HP (SAE J1349) @ 2300 RPM

OPERATIONAL DIMENSIONS

Max Digging Depth	7' 9.7"
Max Digging Radius @ Ground Level	12' 8"
Max Vertical Digging Depth	6' 7.9"
Max Dumping Height	7' 9.7"

DOZER BLADE DIMENSIONS

Width	3'3"/4'3.2"
Height	9.1"
Lift Above Ground	9.1"
Drop Below Ground	9.1"

PERFORMANCE

Digging Force @ Bucket (K7970)	3594 lbs.
Digging Force @ Dipper Arm	1852 lbs.
Travel Speed (Low/High)	1.4/2.6 mph
Climbing Ability	27% / 15°
Ground Pressure	3.7 psi
Lift Capacity	910 lbs.
• Over End	
• Blade Grounded	
• 2 Ft. Load Point Height	
• 8 Ft. Load Radius	



K Series KX018-4

HOW TO SELECT A KX018-4 EXCAVATOR (Sample Order Information Page)

Below is an example of a complete KX018-4 order. To submit your order, please select the Basic Unit that you desire from Part 1. Then select the attachments from Parts 2 and 3 needed to complete your order.

STEP 1)	Select from Part 1 the Basic Unit that fits your needs. For example, choose a KX018-4 and get: Base Model, rubber tracks, 4-post ROPS/OPG (Top Guard, Level I) canopy, dozer blade, dipper arm and counterweight.
STEP 2)	Select from Parts 2 and 3 the attachments necessary to make the unit a complete machine. Choose buckets and quick couplers .

(SAMPLE ORDER)

ORDER CODE	DESCRIPTION	FACTORY NUMBER	APPROX. SHIP WT.	SUGGESTED LIST PRICE
STANDARD UNIT KX018-4R1 COMPLETE ORDER AND PRICE				
BASIC UNIT:				
KX018-4R1	EXCAVATOR WITH: Rubber Tracks 4-Post ROPS/OPG (Top Guard, Level I) Canopy Dozer Blade Dipper arm Counterweight	K24K313A92	3747	\$31,992.00
ATTACHMENTS:				
K7966A	Quick Coupler	K626A24	20	\$824.00
K7970A	18" 1.5 cu. ft. Trenching Bucket	K539A60	115	\$710.00
				\$33,526.00

KUBOTA**K Series KX018-4**

ORDER CODE	DESCRIPTION	FACTORY NUMBER	APPROX. SHIP WT.	SUGGESTED LIST PRICE
PART 1	MODEL KX018-4 BASIC UNITS			
KX018-4R1	Excavator Basic Unit With: Rubber Tracks, 4-Post ROPS/OPG (Top Guard, Level I) Canopy, Dozer Blade, Dipper Arm, Counterweight	K24K313A92	3747	\$31,992.00
KX018-4R2	Excavator Basic Unit With: Rubber Tracks, ROPS/OPG (Top Guard, Level I) Heated Cab, Dozer Blade, Dipper Arm, Counterweight	K27K103A88	3967	\$35,663.00
PART 2	BUCKETS			
	PIN-ON BUCKETS			
K7779A	9 inch 0.52 cu. ft. 2-Hole H. D. Bucket	K523A64	57	\$689.00
K7780A	12 inch 0.74 cu. ft. 2-Hole H. D. Bucket	K540A36	82	\$711.00
K7781	16 inch 0.95 cu. ft. 2-Hole H. D. Bucket	K596A60	94	\$785.00
K7785	18 inch 1.1 cu. ft. 2-Hole H. D. Bucket	K741A00	95	\$975.00
	QUICK ATTACH BUCKETS			
K7966A	Quick Coupler Includes two mounting pins, 1 locking pin, and hardware.	K601A92	20	\$824.00
K7967A	9 inch 0.78 cu. ft. Trenching Bucket	K337A44	86	\$444.00
K7968A	12 inch 1.0 cu. ft. Trenching Bucket	K435A48	92	\$573.00
K7969A	16 inch 1.3 cu. ft. Trenching Bucket	K433A96	108	\$571.00
K7970A	18 inch 1.5 cu. ft. Trenching Bucket	K539A60	115	\$710.00
K9607	Bucket Hangers Set of two ear blanks. Converts buckets to quick coupler style. Modification to match bucket contour	K194A56	12	\$256.00
PART 3	ATTACHMENTS			
K7420	Travel Pedal Kit	K199A88	7	\$263.00
K7421	Canopy Work Light Kit	K161A12	9	\$212.00
K7141	MIRROR KIT **Cab ONLY	K171A00	11	\$225.00
K7424	Travel Alarm Kit Emits an audible signal when traveling forward or reverse	K161A12	1	\$212.00
PART 4	ROPS / OPG (Top Guard, Level I)			
K7422	REPLACEMENT 4-POST ROPS / OPG (Top Guard, Level I) CANOPY	K1K035A88	143	\$1,363.00
K7423	REPLACEMENT ROPS / OPG (Top Guard, Level I) CAB The K7423 cab is configured as a replacement for damaged factory mounted cabs. It does not include cabin electrical wiring, wiper motor, heater, or defroster. Refer to illustrated parts list to order these components.	K3K667A00	375	\$4,825.00
K7425	RETRACTABLE SEAT BELT OPTION (3") As required in some states for OSHA compliance.	K63A84	3	\$84.00



Available from Parts

- 70000-01602 Screen Type Spark Arrestor
- 70000-00775 Block Heater
- 77700-08686 Strobe Light, Class 2, LED, flashing strobe w/ vacuum magnetic mounting
- 77700-08687 Rotating Beacon, Class 1, halogen (beacon light only) w/ magnetic mounting
- 77700-10379 Wire harness needed for installation of Strobe (77700-08686) and Beacon (77700-08687) on ROPS
- RD829-53870 Switch for Strobe (77700-08686) and Beacon (77700-08687) ROPS and CAB Versions

PART 5 KubotaNOW Telematics Service (each order will require the DCU6700 modem and model specific wiring harness)

DCU6700	AT&T Telematics Modem	K300A20	1	\$395.00
K6704	Excavator Telematics Wiring Harness	K98A80	2	\$130.00

KubotaNOW Telematics Service includes a three (3) year term



U25R1T4

Zero Tail Swing Hydraulic Excavator

FEATURES

Zero Tail Swing
 Half Pitch Rubber Tracks
 ROPS/OPG (Top Guard, Level 1) 4 Post Canopy Suspension Seat
 Kubota 3 Hydraulic Pump Design
 1 Gear; 2 Variable Displacement Pumps
 Hydraulic Joystick Controls with Wrist Rests
 Two Operating Pattern Selection System
 Standard Front Dozer Blade
 360 Degree Full Rotation
 75° Left and 55° Right Boom Swing Angle
 12.7 GPM Auxiliary Hydraulics Port
 Five Second Quick Preheat System
 Key Switch Stop System
 Self Bleed Fuel System
 Two Speed Travel
 Thumb Bracket and Relief Valves

ENGINE

D1105 Kubota E-TVCS Tier 4 Final Diesel Engine
 3 Cylinder, 4 Cycle
 20.9 Gross HP (SAE J1995) @ 2400 RPM
 19.8 Net HP (SAE J1349) @ 2400 RPM

OPERATIONAL

Max Digging Depth	9' 3"
Max Digging Radius @ Ground Level	15' 4"
Max Vertical Digging Depth	6' 5"
Max Dumping Height	10' 6"

DOZER BLADE

Width	59"
Height	11.8"
Lift Above Ground	14.0"
Drop Below Ground	13.0"

BASIC UNIT

U25R1T4, Rubber tracks, 4-Post ROPS/OPG (Top Guard, Level 1) Canopy, Dipper Arm, Counterweight

PERFORMANCE

Digging Force @ Bucket (K7978)	5765 lbs.
Digging Force @ Dipper Arm	2745 lbs.
Travel Speed (Low/High)	1.6/2.9 mph
Climbing Ability	36% / 20°
Ground Pressure	3.7 psi
Lift Capacity	2050 lbs.
<ul style="list-style-type: none"> • Over Front • Blade Grounded • 2 Ft. Load Point Height • 8 Ft. Load Radius 	

DIMENSIONS AND OPERATING WEIGHT

U25R1T4, Rubber tracks, 4-Post ROPS/OPG (Top Guard, Level 1) Canopy, Dipper Arm, Counterweight

Overall Length	13' 7"
Overall Width	4' 11"
Overall Height	7' 11"
Operating Weight*	5,625 lbs.
Ground Clearance	11.2"

*Includes operator's weight of 175 lbs.



K Series U25ST4

HOW TO SELECT A U25ST4 EXCAVATOR (Sample Order Information Page)

Below are examples of a complete U25ST4 order. To submit your order, please select the Basic Unit Model that you desire from Part 1. Then select the attachments from Parts 2 and 3 needed to complete your order.

STEP 1)	Select from Part 1 the Basic Unit that fits your needs. For example, choose a U25R1T4 and get: Base Model, rubber tracks, 4-post ROPS/ OPG (Top Guard, Level I) canopy, dozer blade, dipper arm and counterweight.
STEP 2)	Select from Parts 2 and 3 the attachments necessary to make the unit a complete machine. Choose buckets and quick couplers, thumb or hydraulic breaker.

(SAMPLE ORDER)

ORDER CODE	DESCRIPTION	FACTORY NUMBER	APPROX. SHIP WT.	SUGGESTED LIST PRICE
STANDARD UNIT U25R1T4 COMPLETE ORDER AND PRICE				
BASIC UNIT:				
U25R1T4	Excavator Basic Unit With: Rubber Tracks 4-Post ROPS/OPG (Top Guard, Level I) Canopy Dozer Blade Dipper arm Counterweight	K26K980A00	5357	\$35,500.00
ATTACHMENTS:				
K7974	Quick Coupler	K649A80	39	\$855.00
K7978	18" 2.2 cu. ft. Trenching Bucket	K943A16	155	\$1,241.00
				\$37,596.00



K Series U25ST4

ORDER CODE	DESCRIPTION	FACTORY NUMBER	APPROX. SHIP WT.	SUGGESTED LIST PRICE
PART 1 MODEL U25ST4 BASIC UNITS				
U25R1T4	Excavator Basic Unit With: Rubber Tracks, 4-Post ROPS/OPG (Top Guard, Level I) Canopy, Dozer Blade, Dipper Arm, Counterweight	K26K980A00	5357	\$35,500.00
PART 2 BUCKETS				
PIN-ON BUCKETS (Order Attaching Pins from Parts)				
K7788	12 inch 1.44 cu. ft. 3-Hole H.D. BUCKET	K725A04	130	\$954.00
K7789	16 inch 2.12 cu. ft. 3-Hole H.D. BUCKET	K770A64	150	\$1,014.00
K7790	18 inch 2.40 cu. ft. 3-Hole H.D. BUCKET	K783A56	164	\$1,031.00
K7791	24 inch 3.40 cu. ft. 3-Hole H.D. BUCKET	K836A76	193	\$1,101.00
QUICK ATTACH BUCKETS				
K7974	QUICK COUPLER Curl hole and power hole built into quick coupler. Includes two mounting pins, 1 locking pin, and hardware.	K649A80	39	\$855.00
K9781	BUCKET HANGERS Set of 2 bucket ear blanks. Converts buckets to quick coupler style. Modification to match bucket contour required.	K228A76	24	\$301.00
K7975	9 inch 1.0 cu. ft. Trenching Bucket	K642A20	110	\$845.00
K7976	12 inch 1.4 cu. ft. Trenching Bucket	K743A28	135	\$978.00
K7977	16 inch 1.9 cu. ft. Trenching Bucket	K844A36	150	\$1,111.00
K7978	18 inch 2.2 cu. ft. Trenching Bucket The K7978 bucket has four teeth. The K7912 Thumb tines contact the end of the teeth and do not mesh between the teeth.	K943A16	155	\$1,241.00
K7979	24 inch 3.0 cu. ft. Trenching Bucket	K1K043A48	180	\$1,373.00
PART 3 ATTACHMENTS				
K7912	HYDRAULIC THUMB KIT K7974 Quick Coupler required.	K1K716A08	122	\$2,258.00



K Series U25ST4

ORDER CODE	DESCRIPTION	FACTORY NUMBER	APPROX. SHIP WT.	SUGGESTED LIST PRICE
PART 3	ATTACHMENTS (Cont.)			
K9919	CANOPY WORK LIGHT KIT	K98A80	20	\$130.00
K9962	STEEL CRAWLER KIT Convert tracks from rubber to steel	K2K597A68	370	\$3,418.00
K9967	TRAVEL ALARM KIT Emits an audible signal when traveling forward or reverse	K234A08	7	\$308.00
PART 4	ROPS / OPG (Top Guard, Level I)			
K7847	REPLACEMENT 4-POST ROPS / OPG (Top Guard, Level I) CANOPY	K1K054A88	154	\$1,388.00
K9943A	RETRACTABLE SEAT BELT OPTION (3") As required in some states for OSHA compliance.	K71A44	3	\$94.00
	Available from Parts 70000-73274 Block Heater Kit 70000-01602 Spark Arrestor (Screen Type)			
PART 5	KubotaNOW Telematics Service (each order will require the DCU6700 modem and model specific wiring harness)			
DCU6700	AT&T Telematics Modem	K300A20	1	\$395.00
K6704	Excavator Telematics Wiring Harness	K98A80	2	\$130.00
	KubotaNOW Telematics Service includes a three (3) year term			



U27-4

Min Tail Swing Hydraulic Excavator

FEATURES

Min Tail Swing
 Half Pitch Rubber Tracks
 ROPS/OPG (Top Guard, Level 1) 4 Post Canopy
 Or Cab w/ HEAT ONLY, Suspension Seat
 Kubota 3 Hydraulic Pump Design
 1 Gear; 2 Variable Displacement Pumps
 Hydraulic Joystick Controls with Wrist Rests
 Two Operating Pattern Selection System
 Standard Front Dozer Blade
 360 Degree Full Rotation
 75° Left and 55° Right Boom Swing Angle
 12.7 GPM Auxiliary Hydraulics Port
 Five Second Quick Preheat System
 Key Switch Stop System
 Self Bleed Fuel System
 Two Speed Travel with Auto Downshift
 Thumb Bracket and Relief Valves

BASIC UNIT

U27-4R1, Rubber tracks, 4-Post ROPS/OPG (Top Guard, Level 1) Canopy, Dipper Arm, Counterweight
 U27-4R2, Rubber tracks, 4-Post ROPS/OPG (Top Guard, Level 1) Cab, Dipper Arm, Counterweight

DIMENSIONS AND OPERATING WEIGHT

U27-4, Rubber tracks, 4-Post ROPS/OPG (Top Guard, Level 1) Canopy, Dipper Arm, Counterweight

Overall Length	13' 6"
Overall Width	4' 11"
Overall Height	7' 10"
Operating Weight*	5,688lbs.
Ground Clearance	12.1"

*Includes operator's weight of 175 lbs.

ENGINE

D1105-BH Kubota Tier 4 Final Diesel Engine
 3 Cylinder, 4 Cycle
 20.8 Gross HP (SAE J1995) @ 2400 RPM
 20.0 Net HP (SAE J1349) @ 2400 RPM

OPERATIONAL DIMENSIONS

Max Digging Depth	9' 5"
Max Digging Radius @ Ground Level	15' 4"
Max Vertical Digging Depth	7' 8"
Max Dumping Height	10'

DOZER BLADE DIMENSIONS

Width	59"
Height	11.8"
Lift Above Ground	14.0"
Drop Below Ground	13.0"

PERFORMANCE

Digging Force @ Bucket	7014 lbs.
Digging Force @ Dipper Arm	2777 lbs.
Travel Speed (Low/High)	1.6/2.7 mph
Climbing Ability	36% / 20°
Ground Pressure	3.3 psi
Lift Capacity	2050 lbs.
<ul style="list-style-type: none"> • Over Front • Blade Grounded • 2 Ft. Load Point Height • 8 Ft. Load Radius 	



K Series U27-4

HOW TO SELECT A U27-4 EXCAVATOR (Sample Order Information Page)

Below are examples of a complete U27-4 order. To submit your order, please select the Basic Unit Model that you desire from Part 1. Then select the attachments from Parts 2 and 3 needed to complete your order.

Step 1
 Select from Part 1 the Basic Unit that fits your needs. For Example, choose a U27-4R1 and get: Base Model, Rubber Tracks, 4-Post ROPS/OPG (Top Guard, Level 1) canopy, dozer blade, dipper arm, and counterweight.

Step 2
 Select from Part 2 and Part 3 the attachments necessary to make the unit a complete machine. Choose buckets, quick couplers, and thumb if applicable.

(SAMPLE ORDER)

ORDER CODE	DESCRIPTION	FACTORY NUMBER	APPROX. SHIP WT.	SUGGESTED LIST PRICE
STANDARD UNIT U27-4 COMPLETE ORDER AND PRICE				
BASIC UNIT:				
U27-4R1	Excavator Basic Unit (Subject to Availability) With: Rubber Tracks 4-Post ROPS/OPG (Top Guard, Level I) Canopy Dozer Blade Dipper arm Counterweight	K28K125A32	5688	\$37,007.00
ATTACHMENTS:				
K7130	Quick Coupler	K648A28	39	\$853.00
K7977	18" 2.2 cu. ft. Trenching Bucket	K844A36	150	\$1,111.00
				\$38,971.00

KUBOTA**K Series U27-4**

ORDER CODE	DESCRIPTION	FACTORY NUMBER	APPROX. SHIP WT.	SUGGESTED LIST PRICE
PART 1	MODEL U27-4 BASIC UNITS			
U27-4R1	Excavator Basic Unit (Subject to Availability) With: Rubber Tracks, 4-Post ROPS/OPG (Top Guard, Level I) Canopy, Dozer Blade, Dipper Arm, Counterweight	K28K125A32	5688	\$37,007.00
U27-4R2	Excavator Basic Unit (Subject to Availability) With: Rubber Tracks, 4-Post ROPS/OPG (Top Guard, Level I) Cab, HEAT ONLY , Dozer Blade, Dipper Arm, Counterweight	K31K569A64	5908	\$41,539.00
PART 2	BUCKETS			
	PIN-ON BUCKETS (Order Attaching Pins from Parts)			
K7150	9 inch 3-Hole H.D. BUCKET	K573A04	110	\$ 754.00
K7151	12 inch 1.44 cu. ft. 3-Hole H.D. BUCKET	K668A04	130	\$ 879.00
K7152	16 inch 2.12 cu. ft. 3-Hole H.D. BUCKET	K757A72	150	\$ 997.00
K7153	18 inch 2.40 cu. ft. 3-Hole H.D. BUCKET	K802A56	164	\$ 1,056.00
K7154	24 inch 3.40 cu. ft. 3-Hole H.D. BUCKET	K863A36	193	\$ 1,136.00
	QUICK ATTACH BUCKETS			
K7130	QUICK COUPLER - (Welded Steel Coupler) Curl hole and power hole built into quick coupler. Includes two mounting pins, 1 locking pin, and hardware.	K648A28	39	\$853.00
K7130A	QUICK COUPLER - (New Cast Coupler) Curl hole and power hole built into quick coupler. Includes two mounting pins, 1 locking pin, and hardware.	K674A12	40	\$ 887.00
K9781	BUCKET HANGERS Set of 2 bucket ear blanks. Converts buckets to quick coupler style. Modification to match bucket contour required.	K228A76	15	\$301.00
K7975	9 inch 1.0 cu. ft. Trenching Bucket	K642A20	110	\$845.00
K7976	12 inch 1.4 cu. ft. Trenching Bucket	K743A28	135	\$978.00
K7977	16 inch 1.9 cu. ft. Trenching Bucket	K844A36	150	\$1,111.00
K7978	18 inch 2.2 cu. ft. Trenching Bucket The K7978 bucket has four teeth. The K7131 Thumb tines contact	K943A16	155	\$1,241.00
K7979	24 inch 3.0 cu. ft. Trenching Bucket	K1K043A48	180	\$1,373.00

KUBOTA**K Series U27-4**

ORDER CODE	DESCRIPTION	FACTORY NUMBER	APPROX. SHIP WT.	SUGGESTED LIST PRICE
PART 3	ATTACHMENTS			
K7131	HYDRAULIC THUMB KIT K7130 Quick Coupler required.	K1K567A12	200	\$2,062.00
K7420	Travel Pedal Kit (for foot travel control)	K199A88	7	\$263.00
K7425	RETRACTABLE SEAT BELT OPTION (3") As required in some states for OSHA compliance.	K63A84	3	\$84.00
K7140	CANOPY WORK LIGHT KIT **Open Rops Only	K161A12	20	\$212.00
K7141	MIRROR KIT **Cab ONLY	K171A00	22	\$225.00
N/A	STEEL CRAWLER KIT Convert tracks from rubber to steel			
K7144	TRAVEL ALARM KIT Emits an audible signal when traveling forward or reverse	K161A12	2	\$212.00
K7145	SPARK ARRESTOR MUFFLER KIT Optional kit for use in close proximity with grass, brush, timber and similar material with potential for ignition. This kit enables the use of the 70000-01602	K294A88		\$388.00
PART 4	ROPS / OPG (Top Guard, Level I)			
K7142	REPLACEMENT 4-POST ROPS / OPG (Top Guard, Level I) CANOPY	K1K078A44	154	\$1,419.00
K7143	REPLACEMENT 4-POST ROPS / OPG (Top Guard, Level I) Cab, HEAT ONLY	K4K271A96	558	\$5,621.00
K7425	RETRACTABLE SEAT BELT OPTION (3") As required in some states for OSHA compliance.	K63A84	3	\$84.00
	Available from Parts			
	70000-01602 Screen Spark Arrestor (requires K7145)			
	77700-08686 Strobe Light, Class 2, LED, flashing strobe w/ vacuum magnetic mounting			
	77700-08687 Rotating Beacon, Class 1, halogen (beacon light only) w/ magnetic mounting			
	77700-10379 Wire harness needed for installation of Strobe (77700-08686) and Beacon (77700-08687) on <u>ROPS</u>			
	RD829-53870 Switch for Strobe (77700-08686) and Beacon (77700-08687) <u>ROPS machines ONLY</u>			
PART 5	KubotaNOW Telematics Service (each order will require the DCU6700 modem and model specific wiring harness)			
DCU6700	AT&T Telematics Modem	K300A20	1	\$395.00
K6704	Excavator Telematics Wiring Harness	K98A80	2	\$130.00

KubotaNOW Telematics Service includes a three (3) year term



KX71-3S4
Hydraulic Excavator

FEATURES

Half Pitched Rubber Tracks or Steel Tracks
 ROPS/OPG (Top Guard, Level 1) 4 Post Canopy or Heated Cab
 Suspension Seat
 Kubota 3 Hydraulic Pump Design
 1 Gear; 2 Variable Displacement Pumps
 Hydraulic Joystick Controls with Wrist Rests
 Two Operating Pattern Selection System
 Standard Front Dozer Blade
 360 Degree Full Rotation
 80° Left and 60° Right Boom Swing Angle
 13.1 GPM Adjustable Auxiliary Hydraulics Port
 Five Second Quick Preheat System
 Key Switch Stop System
 Self Bleed Fuel System
 Two Speed Travel
 Thumb Bracket and Relief Valves
 Swivel Negative Brake

KX71-3S4R1, Rubber Tracks, 4-Post ROPS/OPG (Top Guard, Level 1) Canopy
 KX71-3S4R2, Rubber Tracks, ROPS/OPG (Top Guard, Level 1) Heated Cab
 KX71-3S4S1, Steel Tracks, 4-Post ROPS/OPG (Top Guard, Level 1) Canopy
 KX71-3S4S2, Steel Tracks, ROPS/OPG (Top Guard, Level 1) Heated Cab

ENGINE

D1505 Kubota E-TVCS Tier 4 Final Diesel Engine
 4 Cylinder, 4 Cycle
 24.4 Gross HP (SAE J1995) @ 2300 RPM
 23.1 Net HP (SAE J1349) @ 2300 RPM

OPERATIONAL DIMENSIONS

Max Digging Depth	9' 9"
Max Digging Radius @ Ground Level	16' 0"
Max Vertical Digging Depth	6' 5"
Max Dumping Height	10' 5"

DOZER BLADE DIMENSIONS

Width	59"
Height	12.0"
Lift Above Ground	13.0"
Drop Below Ground	12.0"
Digging Force @ Bucket (K7978)	6350 lbs.
Digging Force @ Dipper Arm	3285 lbs.
Travel Speed (Low/High)	1.8/2.9 mph
Climbing Ability	36% / 20°
Ground Pressure (Rubber/Canopy)	3.9 psi
Lift Capacity	1,760 lbs.
<ul style="list-style-type: none"> • Over Front • Blade Grounded • 2 Ft. Load Point Height • 8 Ft. Load Radius 	

DIMENSIONS AND OPERATING WEIGHT

KX71-3S4R1, Rubber Tracks, 4-Post ROPS/OPG (Top Guard, Level 1) Canopy	
Overall Length	14' 11"
Overall Width	4' 11"
Overall Height	8' 0"
Operating Weight*	6,305 lbs.
Ground Clearance	11.0"
KX71-3S4R2, Rubber Tracks, ROPS/OPG (Top Guard, Level 1) Heated Cab	
Overall Length	14' 11"
Overall Width	4' 11"
Overall Height	7' 11"
Operating Weight*	6,550 lbs.
Ground Clearance	11.0"
*Includes operator's weight of 175 lbs.	



K Series KX71-3S4

HOW TO SELECT A KX71-3S4 EXCAVATOR (Sample Order Information Page)

Below are examples of a complete KX71-3S4 order. To submit your order, please select the Basic Unit Model that you desire from Part 1. Then select the attachments from Parts 2 and 3 needed to complete your order.

STEP 1)	Select from Part 1 the Basic Unit that fits your needs. For example, choose a KX71-3S4 and get: Base Model, rubber tracks, 4-post ROPS/OPG (Top Guard, Level I) canopy, dozer blade, dipper arm and counterweight.
STEP 2)	Select from Parts 2 and 3 the attachments necessary to make the unit a complete machine. Choose buckets and quick couplers, thumb

(SAMPLE ORDER)

ORDER CODE	DESCRIPTION	FACTORY NUMBER	APPROX. SHIP WT.	SUGGESTED LIST PRICE
STANDARD UNIT KX71-3S4R1 COMPLETE ORDER AND PRICE				
BASIC UNIT:				
KX71-3S4R1	Excavator Basic Unit	K30K531A48	6550	\$40,173.00
With:	Rubber Tracks 4-Post ROPS/OPG (Top Guard, Level I) Canopy Dozer Blade Dipper arm Counterweight			
ATTACHMENTS:				
K7870A	Quick Coupler	K749A36	75	\$986.00
K7875A	24" 4.25 cu. ft. Trenching Bucket	K1K035A88	257	\$1,363.00
				\$42,522.00
STANDARD UNIT KX71-3S4R2 COMPLETE ORDER AND PRICE				
BASIC UNIT:				
KX71-3S4R2	Excavator Basic Unit	K33K927A16	6550	\$44,641.00
With:	Rubber Tracks ROPS/OPG (Top Guard, Level I) Cab Dozer Blade Dipper arm Counterweight			
ATTACHMENTS:				
K7796	24" 3.73 cu. ft. 3-Hole H. D. Bucket	K987A24	265	\$1,299.00
				\$45,940.00

K Series KX71-3S4

ORDER CODE	DESCRIPTION	FACTORY NUMBER	APPROX. SHIP WT.	SUGGESTED LIST PRICE
PART 1	MODEL KX71-3S4 BASIC UNITS			
KX71-3S4R1	Excavator Basic Unit	K30K531A48	6550	\$40,173.00
With:	Rubber Tracks, 4-Post ROPS/OPG (Top Guard, Level I) Canopy, Dozer Blade, Dipper Arm, Counterweight			
KX71-3S4R2	Excavator Basic Unit	K33K927A16	6550	\$44,641.00
With:	Rubber Tracks, ROPS/OPG (Top Guard, Level I) Cab, Dozer Blade, Dipper Arm, Counterweight			
KX71-3S4S1	Excavator Basic Unit	K30K531A48	6746	\$40,173.00
With:	Steel Tracks, 4-Post ROPS/OPG (Top Guard, Level I) Canopy, Dozer Blade, Dipper Arm, Counterweight			
KX71-3S4S2	Excavator Basic Unit	K33K927A16	7033	\$44,641.00
With:	Steel Tracks, ROPS/OPG (Top Guard, Level I) Cab, Dozer Blade, Dipper Arm, Counterweight			
PART 2	BUCKETS			
	PIN-ON BUCKETS (Order attaching pins from Parts)			
K7792A	12 inch 2.60 cu. ft. 3-Hole Bucket	K797A24	194	\$1,049.00
K7793	16 inch 2.80 cu. ft. 3-Hole Bucket	K856A52	220	\$1,127.00
K7794	18 inch 3.20 cu. ft. 3-Hole Bucket	K895A28	229	\$1,178.00
K7796	24 inch 4.50 cu. ft. 3-Hole Bucket	K987A24	265	\$1,299.00
	QUICK ATTACH BUCKETS			
K7870	QUICK COUPLER Curl hole and power hole built into quick coupler. Includes two mounting pins, 1 locking pin and hardware.	K720A48	1	\$948.00
K7870A	QUICK COUPLER Curl hole and power hole built into quick coupler. Includes two mounting pins, 1 locking pin and hardware.	K749A36	75	\$986.00
K9807	BUCKET HANGERS Set of 2 bucket ear blanks. Converts buckets to quick coupler style. Modification to match bucket contour required	K323A20	49	\$404.00
K7872A	12 inch 2.13 cu. ft. Trenching Bucket	K766A08	160	\$1,008.00
K7873A	16 inch 2.83 cu. ft. Trenching Bucket	K802A56	185	\$1,056.00
K7874A	18 inch 3.19 cu. ft. Trenching Bucket The K7874A bucket has four teeth. The K7902 Thumb tines contact the end of the teeth and do not mesh between the teeth.	K864A88	190	\$1,138.00
K7874AC	18 inch 3.19 cu. ft. Trenching Bucket This is the same bucket as K7874A WITHOUT shanks for teeth	K864A88	190	\$1,138.00
K7875A	24 inch 4.25 cu. ft. Trenching Bucket	K1K035A88	257	\$1,363.00
K7875AC	24 inch 4.25 cu. ft. Trenching Bucket This is the same bucket as K7875A WITHOUT shanks for teeth	K1K035A88	216	\$1,363.00
K7473	36 inch 3.0 cu. ft. TILT GRADING BUCKET Includes hoses and fittings. Tilts 45° each direction.	K3K850A92	1	\$5,067.00
K7474A	BOLT ON CUTTING EDGE For K7473 36" grading bucket	K123A88	36	\$163.00
K7458	36 inch Grading Blade	K1K246A40	270	\$1,640.00
K7458A	36 inch Grading Blade	K1K103A52	270	\$1,452.00
K7546	36" Cemetery Bucket	K1K293A60	265	\$1,617.00

KUBOTA**K Series KX71-3S4**

ORDER CODE	DESCRIPTION	FACTORY NUMBER	APPROX. SHIP WT.	SUGGESTED LIST PRICE
PART 3	ATTACHMENTS			
K7902	HYDRAULIC THUMB KIT K7870 Quick Coupler required.	K2K342A32	190	\$3,082.00
K7461	24" EXCAVATING RAKE, QUICK ATTACH	K1K720A64	300	\$2,264.00
K9919	CANOPY WORK LIGHT KIT	K98A80	4	\$130.00
K9736	STEEL CRAWLER KIT Convert tracks from rubber to steel	K2K269A36	787	\$2,986.00
K9967	TRAVEL ALARM KIT Emits an audible signal when traveling forward or reverse	K234A08	2	\$308.00
PART 4	ROPS / OPG (Top Guard, Level I)			
K7890	REPLACEMENT 4-POST ROPS/OPG (Top Guard, Level I) CANOPY	K915A80	180	\$1,205.00
K7899	REPLACEMENT ROPS / OPG (Top Guard, Level I) CAB The K7899 cab is configured as a replacement for damaged factory mounted cabs. It does not include cabin electrical wiring, wiper motor, heater, or defroster. Refer to illustrated parts list to order these components.	K4K451A32	400	\$5,857.00
K9943A	RETRACTABLE SEAT BELT OPTION (3") As required in some states for OSHA compliance.	K71A44	3	\$94.00
	Available from parts			
	70000-73274 Block Heater Kit			
PART 5	KubotaNOW Telematics Service (each order will require the DCU6700 modem and model specific wiring harness)			
DCU6700	AT&T Telematics Modem	K300A20	1	\$395.00
K6704	Excavator Telematics Wiring Harness	K98A80	2	\$130.00
	KubotaNOW Telematics Service includes a three (3) year term			



KX033-4
Hydraulic Excavator

FEATURES

Half Pitched Rubber Tracks or (Steel Tracks) ***
 ROPS/OPG (Top Guard, Level 1) 4 Post Canopy or Heated Cab with A/C
 Suspension Seat
 Kubota 3 Hydraulic Pump Design
 1 Gear; 2 Variable Displacement Pumps
 Hydraulic Joystick Controls with Wrist Rests
 Hydraulic Accumulator
 Two Operating Pattern Selection System
 Standard Front Dozer Blade
 360 Degree Full Rotation
 70° Left and 48° Right Boom Swing Angle
 15.8 GPM Adjustable Auxiliary Hydraulics Port With Diverter Valve
 Five Second Quick Preheat System
 Key Switch Stop System
 Self Bleed Fuel System
 Two Speed Travel
 Auto Idle
 Thumb Bracket and Relief Valves
 Swivel Negative Brake
 Travel Negative Brake
 Third Line Return (Hydraulic)

BASIC UNIT

KX033-4R1 Rubber Tracks, 4-Post ROPS/OPG (Top Guard, Level 1) Canopy
 KX033-4R1A, Rubber Tracks, ROPS/OPG (Top Guard, Level 1) Canopy, Angle Dozer Blade
 KX033-4R1E***, Rubber Tracks, ROPS/OPG, Canopy, Extendable Dipper Arm
 KX033-4R1AE***, Rubber Tracks, ROPS/OPG (Top Guard, Level 1) Canopy, Angle Dozer Blade, Extendable Dipper Arm
 KX033-4R3, Rubber Tracks, ROPS/OPG (Top Guard, Level 1) Heated Cab with A/C
 KX033-4R3A, Rubber Tracks, ROPS/OPG (Top Guard, Level 1) Heated Cab with A/C, Angle Blade
 KX033-4R3E***, Rubber Tracks, ROPS/OPG (Top Guard, Level 1) Heated Cab with A/C, Extendable Dipper Arm
 KX033-4R3AE***, Rubber Tracks, ROPS/OPG (Top Guard, Level 1) Heated Cab with A/C, Angle Dozer blade, Extendable Dipper Arm

DIMENSIONS AND OPERATING WEIGHT

KX033-4R1, Rubber Tracks, 4-Post ROPS/OPG (Top Guard, Level 1) Canopy
 Overall Length 15' 6"
 Overall Width 5' 1"
 Overall Height 8' 1"
 Operating Weight* 7420 lbs.
 Ground Clearance 11.4"

KX033-4R3, Rubber Tracks, ROPS/OPG (Top Guard, Level 1) Heated Cab with A/C
 Overall Length 15' 6"
 Overall Width 5' 1"
 Overall Height 8' 1"
 Operating Weight* 7,742 lbs.
 Ground Clearance 11.4"

*Includes operator's weight of 175 lbs.

ENGINE

Kubota D1703M-DI-E4
 3 Cylinder, 4 Cycle
 24.8 Gross HP (SAE J1995) @ 2200 RPM
 23.2 Net HP (SAE J1349) @ 2200 RPM

OPERATIONAL DIMENSIONS

Max Digging Depth 10' 6"
 Max Digging Radius @ Ground Level 16' 10"
 Max Vertical Digging Depth 7' 4"
 Max Dumping Height 11' 7"

DOZER BLADE DIMENSIONS

Width 61"
 Height 13.5"/ 15.2" Angle
 Lift Above Ground 14.4"/ 15.9" Angle
 Drop Below Ground 14.8"/ 16.1" Angle

PERFORMANCE

Digging Force @ Bucket 8138 lbs
 Digging Force @ Dipper Arm 3867 lbs
 Travel Speed (Low/High) 1.9/2.9 mph
 Traction Force (Low) 6091 lbs
 Lift Capacity 3230 lbs

- Over Front
- Blade Grounded
- 2 Ft. Load Point Height
- 8 Ft. Load Radius



K Series KX033-4

HOW TO SELECT A KX033-4 EXCAVATOR (Sample Order Information Page)

Below are examples of a complete KX033-4 order. To submit your order, please select the Basic Unit Model that you desire from Part 1. Then select the attachments from Parts 2 and 3 needed to complete your order.

STEP 1)	Select from Part 1 the Basic Unit that fits your needs. For example, choose a KX033-4 and get: Base Model, rubber tracks, 4-post ROPS/OPG (Top Guard, Level I) canopy, angle dozer blade, dipper arm and counterweight.
STEP 2)	Select from Parts 2 and 3 the attachments necessary to make the unit a complete machine. Choose buckets and quick couplers, thumb

(SAMPLE ORDER)

ORDER CODE	DESCRIPTION	FACTORY NUMBER	APPROX. SHIP WT.	SUGGESTED LIST PRICE
STANDARD UNIT KX033-4R1A COMPLETE ORDER AND PRICE				
BASIC UNIT:				
KX033-4R1A	Excavator Basic Unit	K37K201A24	7,140	\$48,949.00
With:	Rubber Tracks 4-Post ROPS/OPG (Top Guard, Level I) Canopy Angle Dozer Blade Dipper Arm Counterweight			
ATTACHMENTS:				
K7796	24" 3.73 cu. ft. 3-Hole H. D. Bucket	K987A24	265	\$1,299.00
				<u>\$50,248.00</u>
STANDARD UNIT KX033-4R3 COMPLETE ORDER AND PRICE				
BASIC UNIT:				
KX033-4R3	Excavator Basic Unit	K39K878A72	7,198	\$52,472.00
With:	Rubber Tracks ROPS/OPG (Top Guard, Level I) Cab Dozer Blade Dipper Arm Counterweight			
ATTACHMENTS:				
K7870A	Quick Coupler	K749A36	75	\$986.00
K7875A	24" 4.25 cu. ft. Trenching Bucket	K1K035A88	257	\$1,363.00
				<u>\$54,821.00</u>

KUBOTA**K Series KX033-4**

ORDER CODE	DESCRIPTION	FACTORY NUMBER	APPROX. SHIP WT.	SUGGESTED LIST PRICE
PART 1	MODEL KX033-4			
KX033-4R1	Excavator Basic Unit With: Rubber Tracks, 4-Post ROPS/OPG (Top Guard, Level I) Canopy, Dozer Blade, Dipper Arm, Counterweight	K35K008A64	6,978	\$46,064.00
KX033-4R1A	Excavator Basic Unit With: Rubber Tracks, 4-Post ROPS/OPG (Top Guard, Level I) Canopy, Angle Dozer Blade, Dipper Arm, Counterweight	K37K201A24	7,198	\$48,949.00
KX033-4R3	Excavator Basic Unit With: Rubber Tracks, ROPS/OPG (Top Guard, Level I) Cab, Heat and A/C, Dozer Blade, Dipper Arm, Counterweight	K39K878A72	7,198	\$52,472.00
KX033-4R3A	Excavator Basic Unit With: Rubber Tracks, ROPS/OPG (Top Guard, Level I) Cab, Heat and A/C, Angle Dozer Blade, Dipper Arm, Counterweight	K42K065A24	7,199	\$55,349.00
KX033-4R1E	Excavator Basic Unit With: Rubber Tracks, 4-Post ROPS/OPG (Top Guard, Level I) Canopy, Dozer Blade, Extendable Dipper Arm, Counterweight	K37K551A60	6,978	\$49,410.00
KX033-4R1AE	Excavator Basic Unit With: Rubber Tracks, 4-Post ROPS/OPG (Top Guard, Level I) Canopy, Angle Dozer Blade, Extendable Dipper Arm, Counterweight	K39K744A20	6,978	\$52,295.00
KX033-4R3E	Excavator Basic Unit With: Rubber Tracks, ROPS/OPG (Top Guard, Level I) Cab, Heat and A/C, Dozer Blade, Extendable Dipper Arm, Counterweight	K42K421A68	7,198	\$55,818.00
KX033-4R3AE	Excavator Basic Unit With: Rubber Tracks, ROPS/OPG (Top Guard, Level I) Cab, Heat and A/C, Angle Dozer Blade, Extendable Dipper Arm, Counterweight	K44K608A96	7,198	\$58,696.00
PART 2	BUCKETS			
	PIN-ON BUCKETS (Order Attaching Pins from Parts)			
K7792A	12 inch 2.60 cu. ft. 3-Hole Bucket	K797A24	194	\$1,049.00
K7793	16 inch 2.80 cu. ft. 3-Hole Bucket	K856A52	220	\$1,127.00
K7794	18 inch 3.20 cu. ft. 3-Hole Bucket	K895A28	229	\$1,178.00
K7796	24 inch 4.50 cu. ft. 3-Hole Bucket	K987A24	265	\$1,299.00
	QUICK ATTACH BUCKETS			
K7870A	QUICK COUPLER Curl hole and power hole built into quick coupler. Includes two mounting pins, 1 locking pin and hardware.	K749A36	75	\$986.00
K9807	BUCKET HANGERS Set of 2 bucket ear blanks. Converts buckets to quick coupler style. Modification to match bucket contour required.	K323A20	49	\$404.00

KUBOTA**K Series KX033-4**

ORDER CODE	DESCRIPTION	FACTORY NUMBER	APPROX. SHIP WT.	SUGGESTED LIST PRICE
PART 2	BUCKETS (Cont.)			
K7872A	12 inch 2.13 cu. ft. Trenching Bucket	K766A08	160	\$1,008.00
K7873A	16 inch 2.83 cu. ft. Trenching Bucket	K802A56	185	\$1,056.00
K7874A	18 inch 3.19 cu. ft. Trenching Bucket	K864A88	190	\$1,138.00
	The K7874 bucket has four teeth. The K7910 Thumb tines contact the end of the teeth and do not mesh between the teeth.			
K7874AC	18 inch 3.19 cu. ft. Trenching Bucket This is the same bucket as K7874A WITHOUT shanks for teeth	K864A88	190	\$1,138.00
K7875A	24 inch 4.25 cu. ft. Trenching Bucket	K1K035A88	257	\$1,363.00
K7875AC	24 inch 4.25 cu. ft. Trenching Bucket This is the same bucket as K7875A WITHOUT shanks for teeth	K1K035A88	216	\$1,363.00
K7473A	36 inch 3.0 cu. ft. TILT GRADING BUCKET Includes hoses and fittings. Tilts 45° each direction	K3K517A28	305	\$4,628.00
K7474A	BOLT ON CUTTING EDGE For K7473A 36" grading bucket	K123A88	36	\$163.00
K7458	36" Grading Blade	K1K246A40	270	\$1,640.00
K7546	36" Cemetery Bucket	K1K293A60	265	\$1,617.00
PART 3	ATTACHMENTS			
K7910A	① HYDRAULIC THUMB KIT K7870A Quick Coupler required	K2K120A40	195	\$2,790.00
K7461	① 24 INCH EXCAVATING RAKE, QUICK ATTACH	K1K720A64	300	\$2,264.00
K7940	CANOPY WORK LIGHT KIT	K117A80	6	\$155.00
K9784	TRAVEL ALARM KIT Emits an audible signal when traveling forward or reverse	K222A68	1	\$293.00
K7984	SPARK ARRESTOR MUFFLER KIT Optional kit for use in close proximity with grass, brush, timber and similar cellulose material with potential for ignition. Requires Heat Insulation Kit. 77700-06495	K380A76	10	\$501.00

① Not approved for use with extendible arm.

KUBOTA**K Series KX033-4**

ORDER CODE	DESCRIPTION	FACTORY NUMBER	APPROX. SHIP WT.	SUGGESTED LIST PRICE
PART 4	ROPS / OPG (Top Guard, Level I)			
K9786	REPLACEMENT 4-POST ROPS / OPG (Top Guard, Level I)	K1K235A76	240	\$1,626.00
K9787	REPLACEMENT ROPS / OPG (Top Guard, Level I) CAB The cab is configured as a replacement for damaged factory mounted cabs. It does not include cabin electrical wiring, wiper motor, heater, or defroster. Refer to illustrated parts list to order these components.	K5K261A48	558	\$6,923.00
K7479	Cab Mirror Kit Includes two side mirrors, one for each side, one rear mirror, and attaching hardware	K222A68	11	\$293.00
K9943A	RETRACTABLE SEAT BELT OPTION (3") As required in some states for OSHA compliance.	K71A44	3	\$94.00
	Available from Parts			
	70000-00297 Block Heater Kit			
	77700-04753A Radio Kit AM/FM/ WB/ AUX (for Cab models Only)			
	77700-04754A Radio Kit AM/FM/ WB/ AUX/ USB/ iPod/ SAT (for Cab models ONLY)			
	77700-06495 Heat Insulation Kit for Spark Arrestor Muffler			
	77700-08686 Strobe Light, Class 2, LED, flashing strobe w/ vacuum magnetic mounting			
	77700-08687 Rotating Beacon, Class 1, halogen (beacon light only) w/ magnetic mounting			
	77700-10379 Wire harness needed for installation of Strobe (77700-08686) and Beacon (77700-08687) on ROPS			
	RD829-53870 Switch for Strobe (77700-08686) and Beacon (77700-08687) ROPS and CAB Versions			
PART 5	KubotaNOW Telematics Service (each order will require the DCU6700 modem and model specific wiring harness)			
DCU6700	AT&T Telematics Modem	K300A20	1	\$395.00
K6704	Excavator Telematics Wiring Harness KubotaNOW Telematics Service includes a three (3) year term	K98A80	2	\$130.00



This page intentionally left blank.



U35-4
Tight Tail Swing Hydraulic Excavator

FEATURES

Tight Tail Swing
 Half Pitched Rubber Tracks or Steel Tracks
 ROPS/OPG (Top Guard, Level 1) 4 Post Canopy or Air Conditioned & Heated Cab
 Suspension Seat
 Kubota 3 Hydraulic Pump Design
 1 Gear; 2 Variable Displacement Pumps
 All Controls Hydraulic Pilot Controls
 Hydraulic Accumulator
 Two Operating Pattern Selection System
 Digital Control Panel
 Attachment Flow Presets, Service Alerts
 Standard Front Dozer Blade with Float
 Optional Float Angle Blade w/ BOCE
 360 Degree Full Rotation
 71° Left and 45° Right Boom Swing Angle
 15.8 GPM Adjustable Auxiliary Hydraulics Port
 Auxiliary Hydraulic Diverter Valve
 Five Second Quick Preheat System
 Key Switch Stop System
 Self Bleed Fuel System
 Auto-downshift Two Speed Travel System
 Thumb Bracket and Relief Valves
 Swivel Negative Brake
 Travel Negative Brake
 Third Line Return (Hydraulic)

BASIC UNIT

U35-4R1, Rubber Tracks, 4-Post ROPS/OPG (Top Guard, Level 1) Canopy
 U35-4R1A, Rubber Tracks, 4-Post ROPS/OPG (Top Guard, Level 1) Canopy, Angle Dozer Blade
 U35-4R3, Rubber Tracks, ROPS/OPG (Top Guard, Level 1) Air Conditioned/Heated Cab
 U35-4R3A, Rubber Tracks, ROPS/OPG (Top Guard, Level 1) Air Conditioning/Heated Cab, Angle Dozer Blade

DIMENSIONS AND OPERATING WEIGHT

U35-4R1, Rubber Tracks, 4-Post ROPS/OPG (Top Guard, Level 1) Canopy
 Overall Length 15' 7"
 Overall Width 5' 7"
 Overall Height 8' 1.2"
 Operating Weight* 8,129 lbs.
 Ground Clearance 11.34"

U35-4R3, Rubber Tracks, ROPS/OPG (Top Guard, Level 1) Air Conditioned/Heated Cab
 Overall Length 15' 7"
 Overall Width 5' 7"
 Overall Height 8' 1.2"
 Operating Weight* 8,451 lbs.
 Ground Clearance 11.34"

*Includes operator's weight of 175 lbs.

ENGINE

D1703-M Kubota E-TVCS Tier 4 Final Diesel Engine
 3 Cylinder, 4 Cycle
 24.8 Gross HP (SAE J1995) @ 2200 RPM
 23.9 Net HP (SAE J1349) @ 2200 RPM

OPERATIONAL DIMENSIONS

Max Digging Depth	9' 8.9"
Max Digging Radius @ Ground Level	16' 11.3"
Max Vertical Digging Depth	6' 7.3"
Max Dumping Height	11' 0.7"

DOZER BLADE DIMENSIONS

Width	67"
Height	13.5"
Lift Above Ground	14.65"
Drop Below Ground	14.53"

PERFORMANCE

Digging Force @ Bucket (K7875)	7924 lbs.
Digging Force @ Dipper Arm	4451 lbs.
Travel Speed (Low/High)	1.9/2.9 mph
Climbing Ability	36% / 20°
Lift Capacity	3230 lbs.

- Over Front
- Blade Grounded
- 2 Ft. Load Point Height
- 8 Ft. Load Radius



K Series U35-4

HOW TO SELECT A U35-4 EXCAVATOR (Sample Order Information Page)

Below are examples of a complete U35-4 order. To submit your order, please select the Basic Unit Model that you desire from Part 1. Then select the attachments from Parts 2 and 3 needed to complete your order.

STEP 1)	Select from Part 1 the Basic Unit that fits your needs. For example, choose a U35-4R1A and get: Base Model, rubber tracks, 4-post ROPS/OPG (Top Guard, Level I) canopy, angle dozer blade, dipper arm and counterweight.
STEP 2)	Select from Parts 2 and 3 the attachments necessary to make the unit a complete machine. Choose buckets and quick couplers, thumb

(SAMPLE ORDER)

ORDER CODE	DESCRIPTION	FACTORY NUMBER	APPROX. SHIP WT.	SUGGESTED LIST PRICE
STANDARD UNIT U35-4R1A COMPLETE ORDER AND PRICE				
BASIC UNIT:				
U35-4R1A	Excavator Basic Unit	K36K777A92	8,478	\$48,392.00
With:	Rubber Tracks 4-Post ROPS/OPG (Top Guard, Level I) Canopy Angle Dozer Blade Dipper arm Counterweight			
ATTACHMENTS:				
K7796	24" 3.73 cu. ft. 3-Hole H. D. Bucket	K987A24	265	\$1,299.00
				<u>\$49,691.00</u>
STANDARD UNIT U35-4R3 COMPLETE ORDER AND PRICE				
BASIC UNIT:				
U35-4R3	Excavator Basic Unit	K40K126A48	8,478	\$52,798.00
With:	Rubber Tracks Air Conditioned ROPS/OPG (Top Guard, Level I) Cab Dozer Blade Dipper arm Counterweight			
ATTACHMENTS:				
K7870A	Quick Coupler	K749A36	75	\$986.00
K7875A	24" 4.25 cu. ft. Trenching Bucket	K1K035A88	257	\$1,363.00
				<u>\$55,147.00</u>

KUBOTA**K Series U35-4**

ORDER CODE	DESCRIPTION	FACTORY NUMBER	APPROX. SHIP WT.	SUGGESTED LIST PRICE
PART 1	MODEL U35-4 BASIC UNITS			
U35-4R1	Excavator Basic Unit	K34K545A04	8,478	\$45,454.00
With:	Rubber Tracks, 4-Post ROPS/OPG (Top Guard, Level I) Canopy, Dozer Blade, Dipper Arm, Counterweight,			
U35-4R1A	Excavator Basic Unit	K36K777A92	8,478	\$48,392.00
With:	Rubber Tracks, 4-Post ROPS/OPG (Top Guard, Level I) Canopy, Angle Dozer Blade, Dipper Arm, Counterweight			
U35-4R3	Excavator Basic Unit	K40K126A48	8,478	\$52,798.00
With:	Rubber Tracks, Air Conditioned ROPS/OPG (Top Guard, Level I) Cab, Dozer Blade, Dipper Arm, Counterweight			
U35-4R3A	Excavator Basic Unit	K42K357A84	8,478	\$55,734.00
With:	Rubber Tracks, Air Conditioned ROPS/OPG (Top Guard, Level I) Cab, Angle Dozer Blade, Dipper Arm, Counterweight			
PART 2	BUCKETS			
	PIN-ON BUCKETS (Order attaching pins from Parts)			
K7792A	12 inch 2.60 cu. ft. 3-Hole Bucket	K797A24	194	\$1,049.00
K7793	16 inch 2.80 cu. ft. 3-Hole Bucket	K856A52	220	\$1,127.00
K7794	18 inch 3.20 cu. ft. 3-Hole Bucket	K895A28	229	\$1,178.00
K7796	24 inch 4.50 cu. ft. 3-Hole Bucket	K987A24	265	\$1,299.00
	QUICK ATTACH BUCKETS			
K7870A	QUICK COUPLER Curl hole and power hole built into quick coupler. Includes two mounting pins, 1 locking pin and hardware.	K749A36	75	\$986.00
K9807	BUCKET HANGERS Set of 2 bucket ear blanks. Converts buckets to quick coupler style. Modification to match bucket contour required.	K323A20	49	\$404.00
K7872A	12 inch 2.13 cu. ft. Trenching Bucket	K766A08	160	\$1,008.00
K7873A	16 inch 2.83 cu. ft. Trenching Bucket	K802A56	185	\$1,056.00
K7874A	18 inch 3.19 cu. ft. Trenching Bucket The K7874A bucket has four teeth. The K7910A Thumb tines contact the end of the teeth and do not mesh between the teeth.	K864A88	190	\$1,138.00
K7874AC	18 inch 3.19 cu. ft. Trenching Bucket This is the same bucket as K7874A (WITHOUT shanks for teeth)	K864A88	190	\$1,138.00
K7875A	24 inch 4.25 cu. ft. Trenching Bucket	K1K035A88	257	\$1,363.00
K7875AC	24 inch 4.25 cu. ft. Trenching Bucket This is the same bucket as K7875A (WITHOUT shanks for teeth)	K1K035A88	216	\$1,363.00
K7473A	36 inch 3.0 cu. ft. TILT GRADING BUCKET Includes hoses and fittings. Tilts 45° each direction.	K3K517A28	305	\$4,628.00
K7474A	BOLT ON CUTTING EDGE For K7473 36" grading bucket	K123A88	36	\$163.00
K7458	36 inch Grading Blade	K1K246A40	270	\$1,640.00
K7546	36" Cemetery Bucket	K1K293A60	265	\$1,617.00



K Series U35-4

ORDER CODE	DESCRIPTION	FACTORY NUMBER	APPROX. SHIP WT.	SUGGESTED LIST PRICE
PART 3	ATTACHMENTS			
K7910A	HYDRAULIC THUMB KIT (K7870A Quick Coupler required)	K2K120A40	195	\$2,790.00
K7461	24 INCH EXCAVATING RAKE, QUICK ATTACH	K1K720A64	300	\$2,264.00
K7940	CANOPY WORK LIGHT KIT	K117A80	6	\$155.00
K9784	TRAVEL ALARM KIT Emits an audible signal when traveling forward or reverse.	K222A68	1	\$293.00
K7984	SPARK ARRESTOR MUFFLER KIT Optional kit for use in close proximity with grass, brush, timber and similar cellulose materials with potential for ignition. Requires Heat Insulation Kit. 77700-06495	K380A76	10	\$501.00
PART 4	ROPS / OPG (Top Guard, Level I)			
K9786	REPLACEMENT 4-POST ROPS / OPG (Top Guard, Level I)	K1K235A76	240	\$1,626.00
K9787	REPLACEMENT ROPS / OPG (Top Guard, Level I) CAB The K9787 cab is configured as a replacement for damaged	K5K261A48	558	\$6,923.00
K7479	Cab Mirror Kit Includes two side mirrors, one for each side, one rear mirror, and attaching hardware	K222A68	11	\$293.00
K9943A	RETRACTABLE SEAT BELT OPTION (3") As required in some states for OSHA compliance	K71A44	3	\$94.00
	Available from Parts 77700-06495 Heat Insulation Kit for Spark Arrestor Muffler 70000-00297 Block Heater Kit 77700-04753A Radio Kit AM/FM/ WB/ AUX (for Cab models Only) 77700-04754A Radio Kit AM/FM/ WB/ AUX/ USB/ iPod/ SAT (for Cab models ONLY) 77700-08686 Strobe Light, Class 2, LED, flashing strobe w/ vacuum magnetic mounting 77700-08687 Rotating Beacon, Class 1, Halogen (beacon light only) w/ magnetic mounting 77700-10379 Wire harness needed for installation of Strobe (77700-08686) and Beacon (77700-08687) on <u>ROPS</u> RD829-53870 Switch for Strobe (77700-08686) and Beacon (77700-08687) ROPS and CAB Versions			
PART 5	KubotaNOW Telematics Service (each order will require the DCU6700 modem and model specific wiring harness)			
DCU6700	AT&T Telematics Modem	K300A20	1	\$395.00
K6704	Excavator Telematics Wiring Harness KubotaNOW Telematics Service includes a three (3) year term	K98A80	2	\$130.00



**KX040-4
 Hydraulic Excavator**

FEATURES

Eco Plus System
 Auto Idler
 Rubber Or Steel Track Models
 ROPS/OPG (Top Guard, Level I) 4-Post Canopy or Air Conditioning Cab
 Suspension Seat
 Kubota 1 Hydraulic Pump Load Sensing System
 1 Variable Displacement Pump
 All Controls Hydraulic Pilot Controls
 Two Operating Pattern Selection System
 Accumulator
 Digital Control Panel
 Attachment Flow Presets, Service Alerts
 Standard Front Dozer Blade w/ Float
 Optional Float Angle Blade w/ Bolt-on Cutting Edge
 360 Degree Full Rotation
 70 Degree Left, 55 Degree Right Boom Swing
 17.2 gpm Adjustable Auxiliary Hydraulics Port 1
 Auxiliary Hydraulics Diverter Valve
 9.8 gpm Adjustable Auxiliary Hydraulics Port 2 Option
 Thumb Bracket and Relief Valves
 Five Second Quick Preheat System
 Key Switch Stop System
 Half Pitch Rubber Tracks
 Self-Bleed Fuel System
 Auto-Downshift Two Speed Travel System
 Swivel Negative Brake
 Travel Negative Brake
 Third Line

BASIC UNITS

KX040-4R1, Rubber Tracks, 4-Post ROPS/OPG (TOP GUARD, LEVEL I) Canopy, Dozer Blade
 KX040-4R1A, Rubber Tracks, ROPS/OPG (TOP GUARD, LEVEL I) Canopy, Angle Dozer Blade
 KX040-4R1T, Rubber Tracks, ROPS/OPG (TOP GUARD, LEVEL I) Canopy, 6-in-1 Dozer Blade
 KX040-4R1P, Rubber Tracks, 4-Post ROPS/OPG (TOP GUARD, LEVEL I), Canopy, Dozer Blade, SP2
 KX040-4R1AP, Rubber Tracks, 4-Post ROPS/OPG (TOP GUARD, LEVEL I) Canopy, Angle Dozer Blade, SP2
 KX040-4R1TP, Rubber Tracks, 4-Post ROPS/OPG (TOP GUARD, LEVEL I) Canopy, 6-in-1 Dozer Blade, SP2
 KX040-4R3, Rubber Tracks, Air Conditioned ROPS/OPG (TOP GUARD, LEVEL I) Cab, Dozer Blade
 KX040-4R3A, Rubber Tracks, Air Conditioned ROPS/OPG (TOP GUARD, LEVEL I) Cab, Angle Dozer Blade
 KX040-4R3T, Rubber Tracks, Air Conditioned ROPS/OPG (TOP GUARD, LEVEL I) Cab, 6-in-1 Dozer Blade
 KX040-4R3P, Rubber Tracks, Air Conditioned ROPS/OPG (TOP GUARD, LEVEL I) Cab, Dozer Blade, SP2
 KX040-4R3AP, Rubber Tracks, Air Conditioned ROPS/OPG (TOP GUARD, LEVEL I), Cab, Angle Dozer Blade, SP2
 KX040-4R3TP, Rubber Tracks, Air Conditioned ROPS/OPG (TOP GUARD, LEVEL I), Cab, 6-in-1 Dozer Blade, SP2
 KX040-4S1, Steel Tracks, 4-Post ROPS/OPG (TOP GUARD, LEVEL I) Canopy, Dozer Blade
 KX040-4S1A, Steel Tracks, 4-Post ROPS/OPG (TOP GUARD, LEVEL I) Canopy, Angle Dozer Blade
 KX040-4S1T, Steel Tracks, 4-Post ROPS/OPG (TOP GUARD, LEVEL I) Canopy, 6-in-1 Dozer Blade
 KX040-4S1P, Steel Tracks, 4-Post ROPS/OPG (TOP GUARD, LEVEL I) Canopy, Dozer Blade, SP2

BASIC UNITS (cont'd)

KX040-4S1P, Steel Tracks, 4-Post ROPS/OPG (TOP GUARD, LEVEL I) Canopy, Dozer Blade, SP2
 KX040-4S1AP, Steel Tracks, 4-Post ROPS/OPG (TOP GUARD, LEVEL I) Canopy, Angle Dozer Blade, SP2
 KX040-4S1TP, Steel Tracks, 4-Post ROPS/OPG (TOP GUARD, LEVEL I) Canopy, 6-in-1 Dozer Blade, SP2
 KX040-4S3, Steel Tracks, Air Conditioned ROPS/OPG (TOP GUARD, LEVEL I) Cab, Dozer Blade
 KX040-4S3A, Steel Tracks, ROPS/OPG (TOP GUARD, LEVEL I) Air Conditioned Cab, Angle Dozer Blade
 KX040-4S3T, Steel Tracks, ROPS/OPG (TOP GUARD, LEVEL I) Air Conditioned Cab, 6-in-1 Dozer Blade
 KX040-4S3P, Steel Tracks, Air Conditioned ROPS/OPG (TOP GUARD, LEVEL I) Cab, Dozer Blade, SP2
 KX040-4S3AP, Steel Tracks, ROPS/OPG (TOP GUARD, LEVEL I) Air Conditioned Cab, Angle Dozer Blade, SP2
 KX040-4S3TP, Steel Tracks, ROPS/OPG (TOP GUARD, LEVEL I) Air Conditioned Cab, 6-in-1 Dozer Blade, SP2

DIMENSIONS AND OPERATING WEIGHT

KX040-4R1, Rubber Tracks, 4-Post ROPS/OPG (TOP GUARD, LEVEL I) Canopy, Dozer Blade
 Overall Length 16' 8.2"
 Overall Width 5' 6.9"
 Overall Height 8' 1.8"
 Operating Weight* 9,195 lbs.
 Ground Clearance 12.9"

KX040-4R3A, Rubber Tracks, Air Conditioned ROPS/OPG (TOP GUARD, LEVEL I) Cab, Angle Dozer Blade
 Overall Length 16' 8.1"
 Overall Width 5' 6.9"
 Overall Height 8' 1.8"
 Operating Weight* 9,855 lbs.
 Ground Clearance 12.9"

* Includes operator's weight, 175 lbs.

ENGINE

D1803 Kubota DI CRS Turbo Tier 4 Diesel Engine
 3 Cylinder, 4 Cycle ; 40.4 Gross HP, 38.9 Net HP
 @ 2200 rpm (SAE J1995 & J1349 Respectively)

OPERATIONAL DIMENSIONS

Max Digging Depth 11' 2.7"
 Max Digging Radius @ Ground Level 17' 9.0"
 Max Vertical Digging Depth 7' 4.8"
 Max Dumping Height 12' 9.5"

STANDARD DOZER BLADE DIMENSIONS

Width 66.9"
 Height 15.75"
 Lift Above Ground 15.17"
 Drop Below Ground 15.94"

PERFORMANCE

Digging Force @ Bucket (K7875) 9,535 lbs.
 Digging Force @ Dipper Arm 4,112 lbs.
 Travel Speed (Low/High) 1.8/3.1 mph
 Climbing Ability 36% / 20°
 Lift Capacity 4,080 lbs.
 • Over Front, Blade Grounded
 • 2.0 ft. Load Point Height, 8.0 ft. Load radius



K Series KX040-4

HOW TO SELECT A KX040-4 EXCAVATOR (Sample Order Information Page)

Below are examples of a complete KX040-4 order. To submit your order, please select the Basic Unit Model that you desire from Part 1. Then select the attachments from Parts 2 and 3 needed to complete your order.

Step 1

Select from Part 1 the Basic Unit that fits your needs. For Example, choose a KX040-4R1 and get: Base Model, Rubber Tracks, 4-Post ROPS/OPG (Top Guard, Level 1) canopy, dozer blade, dipper arm, and counterweight.

Step 2

Select from Part 2 and Part 3 the attachments necessary to make the unit a complete machine. Choose buckets, quick couplers, and thumb if applicable.

(SAMPLE ORDER)

ORDER CODE	DESCRIPTION	FACTORY NUMBER	APPROX. SHIP WT.	SUGGESTED LIST PRICE
STANDARD UNIT KX040-4R1 COMPLETE ORDER AND PRICE				
BASIC UNIT:				
KX040-4R1	Excavator Basic Unit	K40K957A92	8,576	\$53,892.00
	With: Rubber Tracks			
	4-Post ROPS/OPG (Top Guard, Level I) Canopy			
	Dozer Blade			
	Dipper arm			
	Counterweight			
ATTACHMENTS:				
K7796	24" 4.30 cu. ft. 3-Hole H. D. Bucket	K987A24	265	\$1,299.00
				<u>\$55,191.00</u>
STANDARD UNIT KX040-4R3A COMPLETE ORDER AND PRICE				
BASIC UNIT:				
KX040-4R3A	Excavator Basic Unit	K47K893A68	9,312	\$63,018.00
	With: Rubber Tracks			
	Air Conditioned ROPS/OPG (Top Guard, Level I) Cab			
	Angle Dozer Blade			
	Dipper arm			
	Counterweight			
ATTACHMENTS:				
K7870A	Quick Coupler	K749A36	75	\$986.00
K7875A	24" 4.25 cu. ft. Trenching Bucket	K1K035A88	257	\$1,363.00
K7910A	Hydraulic Thumb Kit	K2K120A40	195	\$2,790.00
				<u>\$68,157.00</u>

KUBOTA**K Series KX040-4**

ORDER CODE	DESCRIPTION	FACTORY NUMBER	APPROX. SHIP WT.	SUGGESTED LIST PRICE
PART 1	MODEL KX040-4 BASIC UNITS			
KX040-4R1	Excavator Basic Unit	K40K957A92	8576	\$53,892.00
With:	Rubber Tracks, 4-Post ROPS/OPG (Top Guard, Level I) Canopy, Dozer Blade, Dipper Arm, Counterweight			
KX040-4R1A	Excavator Basic Unit	K42K950A64	8576	\$56,514.00
With:	Rubber Tracks, 4-Post ROPS/OPG (Top Guard, Level I) Canopy, Angle Dozer Blade, Dipper Arm, Counterweight			
KX040-4R1T	Excavator Basic Unit	K46K019A52	8,576	\$60,552.00
With:	Rubber Tracks, 4-Post ROPS/OPG (Top Guard, Level I) Canopy, 6-in-1 Dozer Blade, Dipper Arm, Counterweight			
KX040-4R1P	Excavator Basic Unit	K42K233A20	8576	\$55,570.00
With:	Rubber Tracks, 4-Post ROPS/OPG (Top Guard, Level I) Canopy, Dozer Blade, Dipper Arm, Counterweight, SP2			
KX040-4R1AP	Excavator Basic Unit	K44K225A92	8576	\$58,192.00
With:	Rubber Tracks, 4-Post ROPS/OPG (Top Guard, Level I) Canopy, Angle Dozer Blade, Dipper Arm, Counterweight, SP2			
KX0404R1TP	Excavator Basic Unit	K47K295A56	8,576	\$62,231.00
With:	Rubber Tracks, 4-Post ROPS/OPG (Top Guard, Level I) Canopy, 6-in-1 Dozer Blade, Dipper Arm, Counterweight, SP2			
KX040-4R3	Excavator Basic Unit	K45K900A20	9312	\$60,395.00
With:	Rubber Tracks, Air Conditioned ROPS/OPG (Top Guard, Level I) Cab, Dozer Blade, Dipper Arm, Counterweight			
KX040-4R3A	Excavator Basic Unit	K47K893A68	9312	\$63,018.00
With:	Rubber Tracks, Air Conditioned ROPS/OPG (Top Guard, Level I) Cab, Angle Dozer Blade, Dipper Arm, Counterweight			
KX040-4R3T	Excavator Basic Unit	K50K961A80	8,719	\$67,055.00
With:	Rubber Tracks, Air Conditioned ROPS/OPG (Top Guard, Level I) Cab, 6-in-1 Dozer Blade, Dipper Arm, Counterweight			
KX040-4R3P	Excavator Basic Unit	K47K175A48	9312	\$62,073.00
With:	Rubber Tracks, Air Conditioned ROPS/OPG (Top Guard, Level I) Cab, Dozer Blade, Dipper Arm, Counterweight, SP2			
KX040-4R3AP	Excavator Basic Unit	K49K168A96	9312	\$64,696.00
With:	Rubber Tracks, Air Conditioned ROPS/OPG (Top Guard, Level I) Cab, Angle Dozer Blade, Dipper Arm, Counterweight, SP2			
KX0404R3TP	Excavator Basic Unit	K52K237A84	8,719	\$68,734.00
With:	Rubber Tracks, Air Conditioned ROPS/OPG (Top Guard, Level I) Cab, 6-in-1 Dozer Blade, Dipper Arm, Counterweight, SP2			
KX040-4S1	Excavator Basic Unit	K42K153A40	8576	\$55,465.00
With:	Steel Tracks, 4-Post ROPS/OPG (Top Guard, Level I) Canopy, Dozer Blade, Dipper Arm, Counterweight			

KUBOTA**K Series KX040-4**

ORDER CODE	DESCRIPTION	FACTORY NUMBER	APPROX. SHIP WT.	SUGGESTED LIST PRICE
PART 1	MODEL KX040-4 BASIC UNITS (Cont.)			
KX040-4S1A	Excavator Basic Unit	K44K146A12	8576	\$58,087.00
With:	Steel Tracks, 4-Post ROPS/OPG (Top Guard, Level I) Canopy, Angle Dozer Blade, Dipper Arm, Counterweight			
KX040-4S1T	Excavator Basic Unit	K47K215A00	8576	\$62,125.00
With:	Steel Tracks, 4-Post ROPS/OPG (Top Guard, Level I) Canopy, 6-in-1 Dozer Blade, Dipper Arm, Counterweight			
KX040-4S1P	Excavator Basic Unit	K43K428A68	9259	\$57,143.00
With:	Steel Tracks, 4-Post ROPS/OPG (Top Guard, Level I) Canopy, Dozer Blade, Dipper Arm, Counterweight, SP2			
KX040-4S1AP	Excavator Basic Unit	K45K422A16	8576	\$59,766.00
With:	Steel Tracks, 4-Post ROPS/OPG (Top Guard, Level I) Canopy, Angle Dozer Blade, Dipper Arm, Counterweight, SP2			
KX0404S1TP	Excavator Basic Unit	K48K490A28	8576	\$63,803.00
With:	Steel Tracks, 4-Post ROPS/OPG (Top Guard, Level I) Canopy, 6-in-1 Dozer Blade, Dipper Arm, Counterweight, SP2			
KX040-4S3	Excavator Basic Unit	K47K095A68	9350	\$61,968.00
With:	Steel Tracks, Air Conditioned ROPS/OPG (Top Guard, Level I) Cab, Dozer Blade, Dipper Arm, Counterweight			
KX040-4S3A	Excavator Basic Unit	K49K088A40	9312	\$64,590.00
With:	Steel Tracks, Air Conditioned ROPS/OPG (Top Guard, Level I) Cab, Angle Dozer Blade, Dipper Arm, Counterweight			
KX040-4S3T	Excavator Basic Unit	K52K157A28	8719	\$68,628.00
With:	Steel Tracks, Air Conditioned ROPS/OPG (Top Guard, Level I) Cab, 6-in-1 Dozer Blade, Dipper Arm, Counterweight			
KX040-4S3P	Excavator Basic Unit	K48K370A96	9350	\$63,646.00
With:	Steel Tracks, Air Conditioned ROPS/OPG (Top Guard, Level I) Cab, Dozer Blade, Dipper Arm, Counterweight, SP2			
KX040-4S3AP	Excavator Basic Unit	K50K364A44	9312	\$66,269.00
With:	Steel Tracks, Air Conditioned ROPS/OPG (Top Guard, Level I) Cab, Angle Dozer Blade, Dipper Arm, Counterweight, SP2			
KX0404S3TP	Excavator Basic Unit	K53K432A56	9312	\$70,306.00
With:	Steel Tracks, Air Conditioned ROPS/OPG (Top Guard, Level I) Cab, 6-in-1 Dozer Blade, Dipper Arm, Counterweight, SP2			

KUBOTA**K Series KX040-4**

ORDER CODE	DESCRIPTION	FACTORY NUMBER	APPROX. SHIP WT.	SUGGESTED LIST PRICE
PART 2	BUCKET OPTIONS			
	PIN-ON BUCKETS (Order attaching pins from Parts)			
K7792A	12 inch 2.6 cu. ft. 3-Hole Bucket	K797A24	194	\$1,049.00
K7793	16 inch 2.80 cu. ft. 3-Hole Bucket	K856A52	220	\$1,127.00
K7794	18 inch 3.20 cu. ft. 3-Hole Bucket	K895A28	229	\$1,178.00
K7796	24 inch 4.50 cu. ft. 3-Hole Bucket	K987A24	265	\$1,299.00
K7797	30 inch 5.80 cu. ft. 3-Hole Bucket	K1K082A24	300	\$1,424.00
K9836A	36 inch 4.17 cu. ft. Drainage Bucket	K912A00	194	\$1,200.00
	HYDRAULIC QUICK COUPLER			
K7849	Hydraulic Quick Coupler	K1K013A08	1	\$1,333.00
K7813	Hydraulic Quick Coupler Completion Kit Contains all components needed to complete installation of K7849	K696A92	1	\$917.00
	QUICK ATTACH BUCKETS			
	MECHANICAL QUICK ATTACH OPTIONS			
K7870A	QUICK COUPLER Curl hole and power hole built into quick coupler. Includes two mounting pins, 1 locking pin and hardware.	K749A36	75	\$986.00
K9807	BUCKET HANGERS Set of 2 bucket ear blanks. Converts buckets to quick coupler style. Modification to match bucket contour required.	K323A20	49	\$404.00
K7872A	12 inch 2.13 cu. ft. Trenching Bucket	K766A08	160	\$1,008.00
K7873A	16 inch 2.83 cu. ft. Trenching Bucket	K802A56	185	\$1,056.00
K7874A	18 inch 3.19 cu. ft. Trenching Bucket The K7874 bucket has four teeth. The K7910 Thumb tines contact the end of the teeth and do not mesh between the teeth.	K864A88	190	\$1,138.00
K7874AC	18 inch 3.19 cu. ft. Trenching Bucket This is the same bucket as K7874A (WITHOUT shanks for teeth)	K864A88	190	\$1,138.00
K7875A	24 inch 4.25 cu. ft. Trenching Bucket	K1K035A88	257	\$1,363.00
K7875AC	24 inch 4.25 cu. ft. Trenching Bucket This is the same bucket as K7875A (WITHOUT shanks for teeth)	K1K035A88	216	\$1,363.00
K7461	24" Excavating Rake	K1K720A64	300	\$2,264.00
K7876A	30 inch 5.31 cu. ft. Trenching Bucket	K1K142A28	265	\$1,503.00
K7546	36" Cemetery Bucket	K1K293A60	265	\$1,617.00
K7877B	36 inch 6.64 cu. ft. Smooth Grading Bucket If used with thumb, the tines meet below cutting edge	K942A40	230	\$1,240.00
K7458	36" Grading Blade	K1K246A40	270	\$1,640.00
K7473A	36 inch 3.0 cu. ft. TILT GRADING BUCKET Includes hoses and fittings. Tilts 45° each direction.	K3K517A28	305	\$4,628.00
K7454	39 inch 4.72 cu. ft. Tilt Grading Bucket Includes hoses and fittings. Tilts 45° each direction	K4K369A24	485	\$5,749.00
K7454A	39 inch 4.72 cu. ft. Tilt Grading Bucket Includes hoses and fittings. Tilts 45° each direction	K3K990A76	485	\$5,251.00

KUBOTA**K Series KX040-4**

ORDER CODE	DESCRIPTION	FACTORY NUMBER	APPROX. SHIP WT.	SUGGESTED LIST PRICE
KUBOTA KONNECT® (KK) QUICK COUPLER OPTIONS				
K7100	KK Hydraulic Quick Coupler Base Kit Base coupler. Requires K7102 completion kit.	K2K432A00	72	\$3,200.00
K7102	KK Hydraulic Coupler Completion Kit Contains hoses, fittings, guards, electrical components required to	K1K444A00	35	\$1,900.00
K7106	KK Mechanical Coupler Base Kit Mechanical operation only. Requires K7108 completion kit.	K951A52	63	\$1,252.00
K7108	KK Mechanical Coupler Completion Kit Contains components required to complete the K7106 kit.	K228A76	15	\$301.00
K7110	KK Hydraulic Upgrade Base Kit Converts the K106 Mechanical System to a KK Hydraulic System.	K928A72	18	\$1,222.00
K7112	KK Hydraulic Upgrade Completion Kit Contains hoses, fittings, guards, electrical components required to	K943A16	25	\$1,241.00
K7116	12" 2.13 cu. ft. KK Quick Attach Trenching Bucket	K893A00	160	\$1,175.00
K7117	16" 2.83 cu. ft. KK Quick Attach Trenching Bucket	K923A40	185	\$1,215.00
K7118	18" 3.19 cu. ft. KK Quick Attach Trenching Bucket The K7118 bucket has four teeth. The K7902 Thumb tines contact	K984A20	190	\$1,295.00
K7119	24" 4.25 cu. ft. KK Quick Attach Trenching Bucket	K1K150A64	240	\$1,514.00
K7125	24" KK Quick Attach Excavating Rake	K1K735A08	300	\$2,283.00
K7120	30" 5.31 cu. ft. KK Quick Attach Trenching Bucket	K1K301A12	265	\$1,712.00
K7121	36" 6.64 cu. ft. KK Quick Attach Drainage Bucket	K1K100A48	230	\$1,448.00
K7122	36" KK Quick Attach Grading Blade	K1K269A20	270	\$1,670.00
K7123	36" 3.0 cu. ft. KK Quick Attach Tilt Grading Bucket	K3K755A92	305	\$4,942.00
K7124	39" 4.72 cu. ft. KK Quick Attach Tilt Grading Bucket	K4K574A44	185	\$6,019.00
K7127	BUCKET HANGERS, CONTOURED BUCKETS Converts Mechanical Quick Attach Buckets to KK quick coupler	K332A88	24	\$438.00
K7128	BUCKET HANGERS, NON-CONTOURED BUCKETS Converts other brand buckets to KK quick coupler style.	K334A40	82	\$440.00

KUBOTA**K Series KX040-4**

ORDER CODE	DESCRIPTION	FACTORY NUMBER	APPROX. SHIP WT.	SUGGESTED LIST PRICE
PART 3	ATTACHMENTS			
K7910A	HYDRAULIC THUMB KIT K7870A Quick Coupler required	K2K120A40	195	\$2,790.00
K7474A	36" Bolt On Cutting Edge For K7877B, K7473, K7121, or K7123 36" Buckets	K123A88	36	\$163.00
K7455A	39" Bolt On Cutting Edge For K7454 or K7124 39" Tilt Grading Bucket	K121A60	44	\$160.00
K7940	CANOPY WORK LIGHT KIT	K117A80	6	\$155.00
K9929	STEEL CRAWLER KIT Convert tracks from rubber to steel	K2K998A96	439	\$3,946.00
K7927	TRAVEL ALARM KIT Emits an audible signal when traveling forward or reverse	K110A96	2	\$146.00
PART 4	ROPS / OPG (Top Guard, Level I)			
K9153	REPLACEMENT 4-POST ROPS / OPG (Top Guard, Level I) CANOPY	K1K475A16	250	\$1,941.00
K9152	REPLACEMENT ROPS / OPG (Top Guard, Level I) CAB The K9152 cab is configured as a replacement for damaged	K6K496A48	707	\$8,548.00
K7479	Cab Mirror Kit Includes two side mirrors, one for each side, one rear mirror, and attaching hardware	K222A68	11	\$293.00
K9943A	RETRACTABLE SEAT BELT OPTION (3") As required in some states for OSHA compliance.	K71A44	3	\$94.00
PART 5	KubotaNOW Telematics Service (each order will require the DCU6700 modem and model specific wiring harness)			
DCU6700	AT&T Telematics Modem	K300A20	1	\$395.00
K6704	Excavator Telematics Wiring Harness	K98A80	2	\$130.00
	KubotaNOW Telematics Service includes a three (3) year term			

K Series KX040-4**ALLIED ATTACHMENT CONTACTS**

Flail Mower	Rockhound Attachments
Model 30EX	PO Box 22 Hughson, CA 95326 Tel: (800) 426-5615, Fax: (360) 230-2322 Website: http://www.Rockhound.com

Available from Parts

70000-00297 Block Heater Kit

77700-04753A Radio Kit AM/FM/ WB/ AUX (for Cab models Only)

77700-04754A Radio Kit AM/FM/ WB/ AUX/ USB/ iPod/ SAT (for Cab models ONLY)

77700-08686 Strobe Light, Class 2, LED, flashing strobe w/ vacuum magnetic mounting

77700-08687 Rotating Beacon, Class 1, Halogen (beacon light only) w/ magnetic mounting

77700-10379 Wire harness needed for installation of Strobe (77700-08686) and Beacon (77700-08687) on **ROPS**RD829-53870 Switch for Strobe (77700-08686) and Beacon (77700-08687) **ROPS** Versions



KUBOTA**U48-5
Tight Tail Swing Hydraulic Excavator****FEATURES**

Eco Plus System
Auto Idler
Rubber Or Steel Track Models
4-Post ROPS/OPG (Top Guard Level I) Canopy or
Air Conditioned Cab
Suspension Seat
Kubota 3 Hydraulic Pump Load Sensing System
1 Gear, 2 Variable Displacement Pumps
All Controls Hydraulic Pilot Controls
Two Operating Pattern Selection System
Accumulator
Digital Control Panel
Attachment Flow Presets, Service Alerts
Standard Front Dozer Blade w/ Float
Optional Float Angle Blade w/ Bolt-on Cutting Edge
360 Degree Full Rotation
70 Degree Left, 53 Degree Right Boom Swing
17.2 gpm Adjustable Auxiliary Hydraulics Port 1
Auxiliary Hydraulics Diverter Valve
9.8 gpm Adjustable Auxiliary Hydraulics Port 2 Option
Thumb Bracket And Relief Valves
Five Second Quick Preheat System
Key Switch Stop System
Half Pitch Rubber Tracks
Self-Bleed Fuel System
Auto-Downshift Two Speed Travel System
Swivel Negative Brake
Travel Negative Brake
Third Line

BASIC UNITS

U48-5R1, Rubber Tracks, ROPS/OPG (Top Guard,
Level I) Canopy, Dozer Blade, Dipper Arm, Counterweight
U48-5R1P, Rubber Tracks, ROPS/OPG (Top Guard, Level
I) Canopy, Dozer Blade, Dipper Arm, Counterweight, SP2
U48-5R1A, Rubber Tracks, ROPS/OPG (Top Guard, Level
I) Canopy, Angle Dozer Blade, Dipper Arm, Counterweight
U48-5R1AP, Rubber Tracks, ROPS/OPG (Top Guard,
Level I) Canopy, Angle Dozer Blade, Dipper Arm,
Counterweight, SP2
U48-5R3, Rubber Tracks, A/C ROPS/OPG (Top Guard,
Level I) Cab, Dozer Blade, Dipper Arm, Counterweight
U48-5R3P, Rubber Tracks, A/C ROPS/OPG (Top Guard,
Level I) Cab, Dozer Blade, Dipper Arm, Counterweight, SP2
U48-5R3A, Rubber Tracks, A/C ROPS/OPG (Top Guard,
Level I) Cab, Angle Dozer Blade, Dipper Arm,
Counterweight
U48-5R3AP, Rubber Tracks, A/C ROPS/OPG (Top Guard,
Level I) Cab, Angle Dozer Blade, Dipper Arm,
Counterweight, SP2
U48-5S3A, Steel Tracks, A/C ROPS/OPG (Top Guard,
Level I) Cab, Angle Dozer Blade, Dipper Arm,
Counterweight
U48-5S3AP, Steel Tracks, A/C ROPS/OPG (Top Guard,
Level I) Cab, Angle Dozer Blade, Dipper Arm,
Counterweight, SP2

ENGINE

D1803-CR-TE5-BH3 Tier 4 Final Diesel Engine
4 Cylinder, 4 Cycle
40.4 Gross HP @ 2200 rpm (SAE J1995)
38.9 Net HP @ 2200 rpm (SAE J1349)

OPERATIONAL DIMENSIONS

Max Digging Depth	10' 8"
Max Digging Radius @ Ground Level	18' 4"
Max Vertical Digging Depth	4' 5"
Max Dumping Height	12' 9"

STANDARD DOZER BLADE DIMENSIONS

Width	77"
Height	16"
Lift Above Ground	17"
Drop Below Ground	16"

PERFORMANCE

Digging Force @ Bucket (K7919)	9,304 lbs.
Digging Force @ Dipper Arm	5,304 lbs.
Travel Speed (Low/High)	1.7/3.0 mph
Climbing Ability	36% / 20°
Lift Capacity	2,640 lbs.
<ul style="list-style-type: none"> Over Front Blade Grounded 4.0 Ft. Load Point Height 12.0 Ft. Load Radius 	

DIMENSIONS AND OPERATING WEIGHT

U48-5R1, Rubber Tracks, ROPS/OPG (Top Guard Level I) Canopy, Dozer Blade, Dipper Arm, Counterweight	
Overall Length	17' 7"
Overall Width	6' 5"
Overall Height	8' 4"
Operating Weight*	10,848 lbs.
Ground Clearance	12"
U48-5R3AP, Rubber Tracks, ROPS/OPG (Top Guard Level I) A/C Cab, Angle Dozer Blade, Dipper Arm, Counterweight, SP2	
Overall Length	17' 7"
Overall Width	6' 5"
Overall Height	8' 4"
Operating Weight*	11,531 lbs.
Ground Clearance	12"

* Includes operator's weight, 165 lbs.



K Series U48-5

HOW TO SELECT A U48-5 EXCAVATOR
 (Sample Order Information Page)

Below are examples of a complete U55-5 order. To submit your order, please select the Basic Unit Model that you desire from Part 1. Then select the attachments from Parts 2 and 3 needed to complete your order.

STEP 1)	Select from Part 1 the Basic Unit that fits your needs. For example, choose a U48-5R1 and get: Base Model, rubber tracks, 4-post ROPS/OPG (Top Guard Level I) Canopy, dozer blade, dipper arm, counterweight, and one service port
STEP 2)	Select from Parts 2 and 3 the attachments necessary to make the unit a complete machine. Choose buckets and quick couplers

(SAMPLE ORDER)

ORDER CODE	DESCRIPTION	FACTORY NUMBER	APPROX. SHIP WT.	SUGGESTED LIST PRICE
STANDARD UNIT U48-5R1 COMPLETE ORDER AND PRICE				
BASIC UNIT:				
U48-5R1	Excavator Basic Unit	K46K840A32	12,535	\$61,632.00
	With: Rubber Tracks			
	4-Post ROPS/OPG (Top Guard, Level I) Canopy			
	Dozer Blade			
	Dipper arm			
	Counterweight			
	One Service Port			
ATTACHMENTS:				
K7915A	Quick Coupler	K750A88	96	\$988.00
K7254	24" 6.3 cu. QA Trenching Bucket	K756A96	1	\$996.00
				\$63,616.00
STANDARD UNIT U48-5R3AP				
BASIC UNIT:				
U48-5R3AP	Excavator Basic Unit	K55K339A40	12,535	\$72,815.00
	With: Rubber Tracks			
	Air Conditioned ROPS/OPG (Top Guard, Level I)			
	Angle Dozer Blade			
	Dipper arm			
	Counterweight			
	Two Service Ports			
ATTACHMENTS:				
K7915A	Quick Coupler	K750A88	96	\$988.00
K7262	Hydraulic Thumb	K1K549A64	1	\$2,039.00
K7254	24" 6.3 cu. ft. QA Trenching Bucket	K756A96	1	\$996.00
				\$76,838.00

KUBOTA**K Series U48-5**

ORDER CODE	DESCRIPTION	FACTORY NUMBER	APPROX. SHIP WT.	SUGGESTED LIST PRICE
PART 1	MODEL U55 BASIC UNITS			
U48-5R1	Excavator Basic Unit With: Rubber Tracks, 4-Post ROPS/OPG (Top Guard, Level I) Canopy, Dozer Blade, Dipper Arm, Counterweight	K46K840A32	10,850	\$61,632.00
U48-5R1P	Excavator Basic Unit With: Rubber Tracks, 4-Post ROPS/OPG (Top Guard, Level I) Canopy, Dozer Blade, Dipper Arm, Counterweight,	K48K115A60	11,900	\$63,310.00
U48-5R1A	Excavator Basic Unit With: Rubber Tracks, 4-Post ROPS/OPG (Top Guard, Canopy, Angle Blade, Dipper Arm, Counterweight	K49K072A44	11,320	\$64,569.00
U48-5R1AP	Excavator Basic Unit With: Rubber Tracks, 4-Post ROPS/OPG (Top Guard, Canopy, Angle Blade, Dipper Arm, Counterweight,	K50K346A96	11,400	\$66,246.00
U48-5R3	Excavator Basic Unit With: Rubber Tracks, A/C ROPS/OPG (Top Guard, Dozer Blade, Dipper Arm, Counterweight	K51K832A00	11,060	\$68,200.00
U48-5R3P	Excavator Basic Unit With: Rubber Tracks, A/C ROPS/OPG (Top Guard, Dozer Blade, Dipper Arm, Counterweight, SP2	K53K107A28	11,100	\$69,878.00
U48-5R3A	Excavator Basic Unit With: Rubber Tracks, A/C ROPS/OPG (Top Guard, Angle Blade, Dipper Arm, Counterweight	K54K063A36	11,530	\$71,136.00
U48-5R3AP	Excavator Basic Unit With: Rubber Tracks, A/C ROPS/OPG (Top Guard, Angle Blade, Dipper Arm, Counterweight, SP2	K55K339A40	12,115	\$72,815.00
U48-5S3A	Excavator Basic Unit With: Steel Tracks, A/C ROPS/OPG (Top Guard, Level Angle Blade, Dipper Arm, Counterweight	K55K258A84	12,115	\$72,709.00
U48-5S3AP	Excavator Basic Unit With: Steel Tracks, A/C ROPS/OPG (Top Guard, Level Angle Blade, Dipper Arm, Counterweight, SP2	K56K534A12	12,115	\$74,387.00

KUBOTA**K Series U48-5**

ORDER CODE	DESCRIPTION	FACTORY NUMBER	APPROX. SHIP WT.	SUGGESTED LIST PRICE
PART 2	QUICK ATTACH BUCKETS			
K7915A	Quick Coupler Includes two mounting pins, 1 locking pin and hardware.	K750A88	96	\$988.00
K7916	Bucket Hangers Set of two ear blanks. Converts buckets to quick coupler style.	K269A04	97	\$354.00
K7252	12" QA Trenching Bucket	K605A72	1	\$797.00
K7253	18" QA Trenching Bucket	K724A28	1	\$953.00
K7263	18" QA Trenching Bucket (WITHOUT TEETH)	K632A32	1	\$832.00
K7254	24" QA Trenching Bucket	K756A96	1	\$996.00
K7264	24" QA Trenching Bucket (WITHOUT TEETH)	K756A96	1	\$996.00
K7255	30" QA Trenching Bucket	K834A48	180	\$1,098.00
K7256	36" QA Grading Bucket	K688A56	1	\$906.00
K7926	36 inch 3.48 cu. ft. Cemetery Bucket	K1K098A96	265	\$1,446.00
PART 3	ATTACHMENTS			
K7262	Hydraulic Thumb Kit for U48-5 K7915A Quick Coupler required	K1K549A64	1	\$2,039.00
K7283	Keyless Start Kit	K151A24	1	\$199.00
K7284	Rearview Camera	K265A24	1	\$349.00
K7286	Air Suspension Seat Kit (CAB Only)	K645A24	86	\$849.00
K7281	Front Guard Kit (CAB Only)	K3K078A0	66	\$4,050.00
K9943A	RETRACTABLE SEAT BELT OPTION (3") As required in some states for OSHA compliance.	K71A44	3	\$94.00
K7479	Cab Mirror Kit Includes two side mirrors, one for each side, one rear mirror, and attaching hardware	K222A68	11	\$293.00
K7277	Travel Alarm Kit Emits an audible signal when traveling forward or	K136A80	6	\$180.00



K Series U48-5

ORDER CODE	DESCRIPTION	FACTORY NUMBER	APPROX. SHIP WT.	SUGGESTED LIST PRICE
PART 4	ROPS / OPG (Top Guard, Level I)			
K7271	REPLACEMENT 4-POST ROPS / OPG (Top Guard, Level I) CANOPY	K1K188A64	6	\$1,564.00
K7274	REPLACEMENT ROPS / OPG (Top Guard, Level I) CAB	K5K058A56	6	\$6,656.00

ALLIED ATTACHMENT CONTACTS

Flail Mower	Rockhound Attachments
Model 30EX	PO Box 22 Hughson, CA 95326 Tel: (800) 426-5615, Fax: (360) 230-2322 <u>Website:</u> http://www.Rockhound.com

Available from Parts

- 77700-04753B Radio Kit AM/FM/ WB/ AUX (for Cab models Only)
- 77700-04754B Radio Kit AM/FM/ WB/ AUX/ USB/ iPod/ SAT (for Cab models ONLY)
- 77700-04755B Radio Kit
- 77700-08686 Strobe Light, Class 2, LED, flashing strobe w/ vacuum magnetic mounting
- 77700-08687 Rotating Beacon, Class 1, Halogen (beacon light only) w/ magnetic mounting
- 77700-10379 Wire harness needed for installation of Strobe (77700-08686) and Beacon (77700-08687) on **ROPS machines ONLY**
- RD829-53870 Switch for Strobe (77700-08686) and Beacon (77700-08687)
- ROPS Versions**

PART 5 KubotaNOW Telematics Service (each order will require the DCU6700 modem and model specific wiring harness)

DCU6700	AT&T Telematics Modem	K300A20	1	\$395.00
K6704A	Excavator Telematics Wiring Harness	K112A48	2	\$148.00

KubotaNOW Telematics Service includes a three (3) year term



**U55-5
 Tight Tail Swing Hydraulic Excavator**

FEATURES

Eco Plus System
 Auto Idler
 Rubber Or Steel Track Models
 4-Post ROPS/OPG (Top Guard Level I) Canopy or
 Air Conditioned Cab
 Suspension Seat
 Kubota 3 Hydraulic Pump Load Sensing System
 1 Gear, 2 Variable Displacement Pumps
 All Controls Hydraulic Pilot Controls
 Two Operating Pattern Selection System
 Accumulator
 Digital Control Panel
 Attachment Flow Presets, Service Alerts
 Standard Front Dozer Blade w/ Float
 Optional Float Angle Blade w/ Bolt-on Cutting Edge
 360 Degree Full Rotation
 70 Degree Left, 55 Degree Right Boom Swing
 19.8 gpm Adjustable Auxiliary Hydraulics Port 1
 Auxiliary Hydraulics Diverter Valve
 9.8 gpm Adjustable Auxiliary Hydraulics Port 2 Option
 Thumb Bracket And Relief Valves
 Five Second Quick Preheat System
 Key Switch Stop System
 Half Pitch Rubber Tracks
 Self-Bleed Fuel System
 Auto-Downshift Two Speed Travel System
 Swivel Negative Brake
 Travel Negative Brake
 Third Line

BASIC UNITS

U55-5R1, Rubber Tracks, ROPS/OPG (Top Guard,
 Level I) Canopy, Dozer Blade, Dipper Arm, Counterweight
 U55-5R1P, Rubber Tracks, ROPS/OPG (Top Guard, Level
 I) Canopy, Dozer Blade, Dipper Arm, Counterweight, SP2
 U55-5R1A, Rubber Tracks, ROPS/OPG (Top Guard, Level
 I) Canopy, Angle Dozer Blade, Dipper Arm, Counterweight
 U55-5R1AP, Rubber Tracks, ROPS/OPG (Top Guard,
 Level I) Canopy, Angle Dozer Blade, Dipper Arm,
 Counterweight, SP2
 U55-5R3, Rubber Tracks, A/C ROPS/OPG (Top Guard,
 Level I) Cab, Dozer Blade, Dipper Arm, Counterweight
 U55-5R3P, Rubber Tracks, A/C ROPS/OPG (Top Guard,
 Level I) Cab, Dozer Blade, Dipper Arm, Counterweight, SP2
 U55-5R3A, Rubber Tracks, A/C ROPS/OPG (Top Guard,
 Level I) Cab, Angle Dozer Blade, Dipper Arm,
 Counterweight
 U55-5R3AP, Rubber Tracks, A/C ROPS/OPG (Top Guard,
 Level I) Cab, Angle Dozer Blade, Dipper Arm,
 Counterweight, SP2
 U55-5S3A, Steel Tracks, A/C ROPS/OPG (Top Guard,
 Level I) Cab, Angle Dozer Blade, Dipper Arm,
 Counterweight
 U55-5S3AP, Steel Tracks, A/C ROPS/OPG (Top Guard,
 Level I) Cab, Angle Dozer Blade, Dipper Arm,
 Counterweight, SP2

ENGINE

V2607 Kubota DI CRS Tier 4 Final Diesel Engine
 4 Cylinder, 4 Cycle
 47.6 Gross HP @ 2200 rpm (SAE J1995)
 45.2 Net HP @ 2200 rpm (SAE J1349)

OPERATIONAL DIMENSIONS

Max Digging Depth	11' 10.3"
Max Digging Radius @ Ground Level	19' 6.1"
Max Vertical Digging Depth	4' 11.6"
Max Dumping Height	13' 2.3"

STANDARD DOZER BLADE DIMENSIONS

Width	77.2"
Height	16.1"
Lift Above Ground	17.3"
Drop Below Ground	16.1"

PERFORMANCE

Digging Force @ Bucket (K7919)	11,177 lbs.
Digging Force @ Dipper Arm	6,261 lbs.
Travel Speed (Low/High)	1.8/3.1 mph
Climbing Ability	36% / 20°
Lift Capacity	3,700 lbs.
<ul style="list-style-type: none"> Over Front Blade Grounded 4.0 Ft. Load Point Height 12.0 Ft. Load Radius 	

DIMENSIONS AND OPERATING WEIGHT

U55-4R1, Rubber Tracks, ROPS/OPG (Top Guard Level I) Canopy, Dozer Blade, Dipper Arm, Counterweight	
Overall Length	18' 1.3"
Overall Width	6' 5.2"
Overall Height	8' 4.4"
Operating Weight*	11,915 lbs.
Ground Clearance	12' 0.2"
U55-4R3AP, Rubber Tracks, ROPS/OPG (Top Guard Level I) A/C Cab, Angle Dozer Blade, Dipper Arm, Counterweight, SP2	
Overall Length	18' 1.3"
Overall Width	6' 5.2"
Overall Height	8' 4"
Operating Weight*	12,535 lbs.
Ground Clearance	12.0.2"

* Includes operator's weight, 165 lbs.



K Series U55-5

HOW TO SELECT A U55-5 EXCAVATOR
 (Sample Order Information Page)

Below are examples of a complete U55-5 order. To submit your order, please select the Basic Unit Model that you desire from Part 1. Then select the attachments from Parts 2 and 3 needed to complete your order.

STEP 1)	Select from Part 1 the Basic Unit that fits your needs. For example, choose a U55-5R1 and get: Base Model, rubber tracks, 4-post ROPS/OPG (Top Guard Level I) Canopy, dozer blade, dipper arm, counterweight, and one service port
STEP 2)	Select from Parts 2 and 3 the attachments necessary to make the unit a complete machine. Choose buckets and quick couplers

(SAMPLE ORDER)

ORDER CODE	DESCRIPTION	FACTORY NUMBER	APPROX. SHIP WT.	SUGGESTED LIST PRICE
STANDARD UNIT				
U55-5R1				
BASIC UNIT:				
U55-5R1	Excavator Basic Unit	K50K847A04	12,535	\$66,904.00
	With: Rubber Tracks			
	4-Post ROPS/OPG (Top Guard, Level I) Canopy			
	Dozer Blade			
	Dipper arm			
	Counterweight			
	One Service Port			
ATTACHMENTS:				
K7915A	Quick Coupler	K750A88	96	\$988.00
K7919A	24" 6.3 cu. ft. Trenching Bucket	K1K010A04	180	\$1,329.00
				\$69,221.00
STANDARD UNIT				
U55-5R3AP				
BASIC UNIT:				
U55-5R3AP	Excavator Basic Unit	K59K345A36	12,535	\$78,086.00
	With: Rubber Tracks			
	Air Conditioned			
	ROPS/OPG (Top Guard, Level I) Cab			
	Angle Dozer Blade			
	Dipper arm			
	Counterweight			
	Two Service Ports			
ATTACHMENTS:				
K7915A	Quick Coupler	K750A88	96	\$988.00
K7937A	Hydraulic Thumb	K1K779A92	195	\$2,342.00
K7919A	24" 6.3 cu. ft. Trenching Bucket	K1K010A04	180	\$1,329.00
				\$82,745.00

KUBOTA**K Series U55-5**

ORDER CODE	DESCRIPTION	FACTORY NUMBER	APPROX. SHIP WT.	SUGGESTED LIST PRICE
PART 1	MODEL U55 BASIC UNITS			
U55-5R1	Excavator Basic Unit	K50K847A04	12,535	\$66,904.00
With:	Rubber Tracks, 4-Post ROPS/OPG (Top Guard, Level I) Canopy, Dozer Blade, Dipper Arm, Counterweight			
U55-5R1P	Excavator Basic Unit	K52K122A32	12,535	\$68,582.00
With:	Rubber Tracks, 4-Post ROPS/OPG (Top Guard, Level I) Canopy, Dozer Blade, Dipper Arm, Counterweight, SP2			
U55-5R1A	Excavator Basic Unit	K53K078A40	12,535	\$69,840.00
With:	Rubber Tracks, 4-Post ROPS/OPG (Top Guard, Level I) Canopy, Angle Blade, Dipper Arm, Counterweight			
U55-5R1AP	Excavator Basic Unit	K54K353A68	12,535	\$71,518.00
With:	Rubber Tracks, 4-Post ROPS/OPG (Top Guard, Level I) Canopy, Angle Blade, Dipper Arm, Counterweight, SP2			
U55-5R3	Excavator Basic Unit	K55K838A72	12,535	\$73,472.00
With:	Rubber Tracks, A/C ROPS/OPG (Top Guard, Level I) Cab, Dozer Blade, Dipper Arm, Counterweight			
U55-5R3P	Excavator Basic Unit	K57K114A00	12,535	\$75,150.00
With:	Rubber Tracks, A/C ROPS/OPG (Top Guard, Level I) Cab, Dozer Blade, Dipper Arm, Counterweight, SP2			
U55-5R3A	Excavator Basic Unit	K58K070A08	12,535	\$76,408.00
With:	Rubber Tracks, A/C ROPS/OPG (Top Guard, Level I) Cab, Angle Blade, Dipper Arm, Counterweight			
U55-5R3AP	Excavator Basic Unit	K59K345A36	12,535	\$78,086.00
With:	Rubber Tracks, A/C ROPS/OPG (Top Guard, Level I) Cab, Angle Blade, Dipper Arm, Counterweight, SP2			
U55-5S3A	Excavator Basic Unit	K59K265A56	12,700	\$77,981.00
With:	Steel Tracks, A/C ROPS/OPG (Top Guard, Level I) Cab, Angle Blade, Dipper Arm, Counterweight			
U55-5S3AP	Excavator Basic Unit	K60K540A84	12,700	\$79,659.00
With:	Steel Tracks, A/C ROPS/OPG (Top Guard, Level I) Cab, Angle Blade, Dipper Arm, Counterweight, SP2			

KUBOTA**K Series U55-5**

ORDER CODE	DESCRIPTION	FACTORY NUMBER	APPROX. SHIP WT.	SUGGESTED LIST PRICE
PART 2	QUICK ATTACH BUCKETS			
K7915A	Quick Coupler Includes two mounting pins, 1 locking pin and hardware.	K750A88	96	\$988.00
K7916	Bucket Hangers Set of two ear blanks. Converts buckets to quick coupler style. Modification to match bucket contour required.	K269A04	97	\$354.00
K7917A	12 inch 3.00 cu. ft. Trenching Bucket	K941A64	218	\$1,239.00
K7918A	18 inch 4.50 cu. ft. Trenching Bucket The K7918A bucket has four teeth. The K7937A thumb tines contact the end of the teeth and do not mesh between the teeth.	K956A08	155	\$1,258.00
K7918AC	18 inch 4.50 cu. ft. Trenching Bucket This is the same bucket as K7918A (WITHOUT shanks for teeth)	K956A08	240	\$1,258.00
K7919A	24 inch 6.30 cu. ft. Trenching Bucket	K1K010A04	180	\$1,329.00
K7919AC	24 inch 6.30 cu. ft. Trenching Bucket This is the same bucket as K7919A (WTHOUT shanks for teeth)	K1K010A04	180	\$ 1,329.00
K7920A	30 inch 8.00 cu. ft. Trenching Bucket	K1K094A40	180	\$1,440.00
K7921A	36 inch 8.00 cu. ft. Trenching Bucket	K1K534A44	180	\$2,019.00
K7926	36 inch 3.48 cu. ft. Cemetery Bucket	K1K098A96	265	\$1,446.00
K7922A	36 inch 6.64 cu. ft. Drainage Bucket Pre-drilled for bolt on cutting edge.	K943A92	270	\$1,242.00
K7474A	Bolt On Cutting Edge for K7922A 36" Drainage Bucket	K123A88	36	\$163.00
K7924A	48 inch 8.50 cu. ft. Grading Bucket Pre-drilled for bolt on cutting edge. Not authorized for use on models with K7937A thumb	K1K349A00	400	\$1,775.00
K7878A	Bolt On Cutting Edge for K7924A 48" Grading Bucket	K165A68	51	\$218.00
PART 3	ATTACHMENTS			
K7937A	HYDRAULIC THUMB KIT (K7915A Quick Coupler Required)	K1K779A92	195	\$2,342.00
K7932	FROST RIPPER	K997A88	315	\$1,313.00
K7270	CANOPY WORK LIGHT KIT	K117A80	6	\$155.00
K7278	TRAVEL ALARM KIT Emits an audible signal when traveling forward or reverse.	K136A80	6	\$180.00
K7280	Steel Crawler Kit Converts tracks from rubber to steel	K4K105A52	439	\$5,402.00
K7440	BOLT ON RUBBER PAD KIT (400 mm, 15.7") Machine must be equipped with steel tracks. This kit includes 78 bolt on pads to be <u>installed on the existing steel grousers</u> (Individual pads can be ordered separate through parts if needed for individual replacement) Part # 77700-10394	K3K099A28	250	\$4,078.00



K Series U55-5

ORDER CODE	DESCRIPTION	FACTORY NUMBER	APPROX. SHIP WT.	SUGGESTED LIST PRICE
PART 4	ROPS / OPG (Top Guard, Level I)			
K7273	REPLACEMENT 4-POST ROPS / OPG (Top Guard, Level I) CANOPY	K1K188A64	6	\$1,564.00
K7276	REPLACEMENT ROPS / OPG (Top Guard, Level I) CAB The K7936 cab is configured as a replacement for damaged factory mounted cabs. It does not include cabin electrical wiring, wiper motor, air conditioner, heater, or defroster. Refer to illustrated parts list to order these components.	K5K058A56	1	\$6,656.00
K7479	Cab Mirror Kit Includes two side mirrors, one for each side, one rear mirror, and attaching hardware	K222A68	11	\$293.00
K9943A	RETRACTABLE SEAT BELT OPTION (3") As required in some states for OSHA compliance.	K71A44	3	\$94.00
K7283	Keyless Start Kit	K151A24	1	\$199.00
K7284	Rearview Camera	K265A24	1	\$349.00
K7286	Air Suspension Seat Kit (CAB Only)	K645A24	86	\$849.00
K7281	Front Guard Kit (CAB Only)	K3K078A0	66.13999939	\$4,050.00

ALLIED ATTACHMENT CONTACTS

Flail Mower	Rockhound Attachments
Model 30EX	PO Box 22 Hughson, CA 95326 Tel: (800) 426-5615, Fax: (360) 230-2322 <u>Website:</u> http://www.Rockhound.com

Available from Parts

- 70000-73274 Block Heater Kit
- 77700-04753B Radio Kit AM/FM/ WB/ AUX (for Cab models Only)
- 77700-04754B Radio Kit AM/FM/ WB/ AUX/ USB/ iPod/ SAT (for Cab models ONLY)
- 77700-04755B Radio Kit
- 77700-08686 Strobe Light, Class 2, LED, flashing strobe w/ vacuum magnetic mounting
- 77700-08687 Rotating Beacon, Class 1, Halogen (beacon light only) w/ magnetic mounting
- 77700-10379 Wire harness needed for installation of Strobe (77700-08686) and Beacon (77700-08687) on **ROPS machines ONLY**
- RD829-53870 Switch for Strobe (77700-08686) and Beacon (77700-08687) **ROPS** Versions



PART 5	KubotaNOW Telematics Service (each order will require the DCU6700 modem and model specific wiring harness)			
DCU6700	AT&T Telematics Modem	K300A20	1.3	\$395.00
K6704A	Excavator Telematics Wiring Harness	K112A48	1.75	\$148.00

KubotaNOW Telematics Service includes a three (3) year term



**U55-4
 Tight Tail Swing Hydraulic Excavator**

FEATURES

Eco Plus System
 Auto Idler
 Rubber Or Steel Track Models
 4-Post ROPS/OPG (Top Guard Level I) Canopy or Air Conditioned Cab
 Suspension Seat
 Kubota 3 Hydraulic Pump Load Sensing System
 1 Gear, 2 Variable Displacement Pumps
 All Controls Hydraulic Pilot Controls
 Two Operating Pattern Selection System
 Accumulator
 Digital Control Panel
 Attachment Flow Presets, Service Alerts
 Standard Front Dozer Blade w/ Float
 Optional Float Angle Blade w/ Bolt-on Cutting Edge
 360 Degree Full Rotation
 70 Degree Left, 55 Degree Right Boom Swing
 19.8 gpm Adjustable Auxiliary Hydraulics Port 1
 Auxiliary Hydraulics Diverter Valve
 9.8 gpm Adjustable Auxiliary Hydraulics Port 2 Option
 Thumb Bracket And Relief Valves
 Five Second Quick Preheat System
 Key Switch Stop System
 Half Pitch Rubber Tracks
 Self-Bleed Fuel System
 Auto-Downshift Two Speed Travel System
 Swivel Negative Brake
 Travel Negative Brake
 Third Line

BASIC UNITS

U55-4R1, Rubber Tracks, ROPS/OPG (Top Guard, Level I) Canopy, Dozer Blade, Dipper Arm, Counterweight
 U55-4R1P, Rubber Tracks, ROPS/OPG (Top Guard, Level I) Canopy, Dozer Blade, Dipper Arm, Counterweight, SP2
 U55-4R1A, Rubber Tracks, ROPS/OPG (Top Guard, Level I) Canopy, Angle Dozer Blade, Dipper Arm, Counterweight
 U55-4R1AP, Rubber Tracks, ROPS/OPG (Top Guard, Level I) Canopy, Angle Dozer Blade, Dipper Arm, Counterweight, SP2
 U55-4R3, Rubber Tracks, A/C ROPS/OPG (Top Guard, Level I) Cab, Dozer Blade, Dipper Arm, Counterweight
 U05-4R3P, Rubber Tracks, A/C ROPS/OPG (Top Guard, Level I) Cab, Dozer Blade, Dipper Arm, Counterweight, SP2
 U55-4R3A, Rubber Tracks, A/C ROPS/OPG (Top Guard, Level I) Cab, Angle Dozer Blade, Dipper Arm, Counterweight
 U55-4R3AP, Rubber Tracks, A/C ROPS/OPG (Top Guard, Level I) Cab, Angle Dozer Blade, Dipper Arm, Counterweight, SP2
 U55-4S3A, Steel Tracks, A/C ROPS/OPG (Top Guard, Level I) Cab, Angle Dozer Blade, Dipper Arm, Counterweight
 U55-4S3AP, Steel Tracks, A/C ROPS/OPG (Top Guard, Level I) Cab, Angle Dozer Blade, Dipper Arm, Counterweight, SP2

ENGINE

V2607 Kubota DI CRS Tier 4 Final Diesel Engine
 4 Cylinder, 4 Cycle
 47.6 Gross HP @ 2200 rpm (SAE J1995)
 45.2 Net HP @ 2200 rpm (SAE J1349)

OPERATIONAL DIMENSIONS

Max Digging Depth	11' 10.3"
Max Digging Radius @ Ground Level	19' 6.1"
Max Vertical Digging Depth	4' 11.6"
Max Dumping Height	13' 2.3"

STANDARD DOZER BLADE DIMENSIONS

Width	77.2"
Height	16.1"
Lift Above Ground	17.3"
Drop Below Ground	16.1"

PERFORMANCE

Digging Force @ Bucket (K7919)	10,485 lbs
Digging Force @ Dipper Arm	6,261 lbs.
Travel Speed (Low/High)	1.8/3.1 mp
Climbing Ability	36% / 20°
Lift Capacity	3,700 lbs.
<ul style="list-style-type: none"> Over Front Blade Grounded 4.0 Ft. Load Point Height 12.0 Ft. Load Radius 	

DIMENSIONS AND OPERATING WEIGHT

U55-4R1, Rubber Tracks, ROPS/OPG (Top Guard Level I) Canopy, Dozer Blade, Dipper Arm, Counterweight	
Overall Length	18' 1.3"
Overall Width	6' 5.2"
Overall Height	8' 4.4"
Operating Weight*	11,915 lbs
Ground Clearance	12' 0.2"
U55-4R3AP, Rubber Tracks, ROPS/OPG (Top Guard Level I) A/C Cab, Angle Dozer Blade, Dipper Arm, Counterweight, SP2	
Overall Length	18' 1.3"
Overall Width	6' 5.2"
Overall Height	8' 4"
Operating Weight*	12,535 lb:
Ground Clearance	12.0.2"

* Includes operator's weight, 175 lbs.



HOW TO SELECT A U55-4 EXCAVATOR
 (Sample Order Information Page)

Below are examples of a complete U55-4 order. To submit your order, please select the Basic Unit Model that you desire from Part 1. Then select the attachments from Parts 2 and 3 needed to complete your order.

STEP 1)	Select from Part 1 the Basic Unit that fits your needs. For example, choose a U55-4R1 and get: Base Model, rubber tracks, 4-post ROPS/OPG (Top Guard Level I) Canopy, dozer blade, dipper arm, counterweight, and one service port
STEP 2)	Select from Parts 2 and 3 the attachments necessary to make the unit a complete machine. Choose buckets and quick couplers

(SAMPLE ORDER)

ORDER CODE	DESCRIPTION	FACTORY NUMBER	APPROX. SHIP WT.	SUGGESTED LIST PRICE
STANDARD UNIT U55-4R1 COMPLETE ORDER AND PRICE				
BASIC UNIT:				
U55-4R1	Excavator Basic Unit	K50K343A92	12,535	\$66,242.00
	With: Rubber Tracks			
	4-Post ROPS/OPG (Top Guard, Level I) Canopy			
	Dozer Blade			
	Dipper arm			
	Counterweight			
	One Service Port			
ATTACHMENTS:				
K7915A	Quick Coupler	K750A88	96	\$988.00
K7919A	24" 6.3 cu. ft. Trenching Bucket	K1K010A04	180	\$1,329.00
				\$68,559.00
STANDARD UNIT U55-4R3AP COMPLETE ORDER AND PRICE				
BASIC UNIT:				
U55-4R3AP	Excavator Basic Unit	K58K793A60	12,535	\$77,360.00
	With: Rubber Tracks			
	Air Conditioned ROPS/OPG (Top Guard, Level I) Cab			
	Angle Dozer Blade			
	Dipper arm			
	Counterweight			
	Two Service Ports			
ATTACHMENTS:				
K7915A	Quick Coupler	K750A88	96	\$988.00
K7937A	Hydraulic Thumb	K1K779A92	195	\$2,342.00
K7919A	24" 6.3 cu. ft. Trenching Bucket	K1K010A04	180	\$1,329.00
				\$82,019.00

KUBOTA**K Series U55-4**

ORDER CODE	DESCRIPTION	FACTORY NUMBER	APPROX. SHIP WT.	SUGGESTED LIST PRICE
PART 1	MODEL U55 BASIC UNITS			
U55-4R1	Excavator Basic Unit With: Rubber Tracks, 4-Post ROPS/OPG (Top Guard, Level I) Canopy, Dozer Blade, Dipper Arm, Counterweight	K50K343A92	12,535	\$66,242.00
U55-4R1P	Excavator Basic Unit With: Rubber Tracks, 4-Post ROPS/OPG (Top Guard, Level I) Canopy, Dozer Blade, Dipper Arm, Counterweight, SP2	K51K619A20	12,535	\$67,920.00
U55-4R1A	Excavator Basic Unit With: Rubber Tracks, 4-Post ROPS/OPG (Top Guard, Level I)	K52K575A28	12,535	\$69,178.00
U55-4R1AP	Excavator Basic Unit With: Rubber Tracks, 4-Post ROPS/OPG (Top Guard, Level I)	K53K851A32	12,535	\$70,857.00
U55-4R3	Excavator Basic Unit With: Rubber Tracks, A/C ROPS/OPG (Top Guard, Level I) Cab,	K55K286A20	12,535	\$72,745.00
U55-4R3P	Excavator Basic Unit With: Rubber Tracks, A/C ROPS/OPG (Top Guard, Level I) Cab, Dozer Blade, Dipper Arm, Counterweight, SP2	K56K561A48	12,535	\$74,423.00
U55-4R3A	Excavator Basic Unit With: Rubber Tracks, A/C ROPS/OPG (Top Guard, Level I) Cab, Angle Blade, Dipper Arm, Counterweight	K57K518A32	12,535	\$75,682.00
U55-4R3AP	Excavator Basic Unit With: Rubber Tracks, A/C ROPS/OPG (Top Guard, Level I) Cab, Angle Blade, Dipper Arm, Counterweight, SP2	K58K793A60	12,535	\$77,360.00
U55-4S3A	Excavator Basic Unit With: Steel Tracks, A/C ROPS/OPG (Top Guard, Level I) Cab, Angle Blade, Dipper Arm, Counterweight	K58K713A80	12,700	\$77,255.00
U55-4S3AP	Excavator Basic Unit With: Steel Tracks, A/C ROPS/OPG (Top Guard, Level I) Cab, Angle Blade, Dipper Arm, Counterweight, SP2	K59K989A08	12,700	\$78,933.00

KUBOTA**K Series U55-4**

ORDER CODE	DESCRIPTION	FACTORY NUMBER	APPROX. SHIP WT.	SUGGESTED LIST PRICE
PART 2	QUICK ATTACH BUCKETS			
K7915A	Quick Coupler Includes two mounting pins, 1 locking pin and hardware.	K750A88	96	\$988.00
K7916	Bucket Hangers Set of two ear blanks. Converts buckets to quick coupler style. Modification to match bucket contour required.	K269A04	97	\$354.00
K7917A	12 inch 3.00 cu. ft. Trenching Bucket	K941A64	218	\$1,239.00
K7918A	18 inch 4.50 cu. ft. Trenching Bucket The K7918A bucket has four teeth. The K7937A thumb tines contact the end of the teeth and do not mesh between the teeth.	K956A08	155	\$1,258.00
K7918AC	18 inch 4.50 cu. ft. Trenching Bucket This is the same bucket as K7918A (WITHOUT shanks for teeth)	K956A08	240	\$1,258.00
K7919A	24 inch 6.30 cu. ft. Trenching Bucket	K1K010A04	180	\$1,329.00
K7919AC	24 inch 6.30 cu. ft. Trenching Bucket This is the same bucket as K7919A (WITHOUT shanks for teeth)	K1K010A04	180	\$ 1,329.00
K7920A	30 inch 8.00 cu. ft. Trenching Bucket	K1K094A40	180	\$1,440.00
K7921A	36 inch 8.00 cu. ft. Trenching Bucket	K1K534A44	180	\$2,019.00
K7926	36 inch 3.48 cu. ft. Cemetery Bucket	K1K098A96	265	\$1,446.00
K7922A	36 inch 6.64 cu. ft. Drainage Bucket Pre-drilled for bolt on cutting edge.	K943A92	270	\$1,242.00
K7474A	Bolt On Cutting Edge for K7922A 36" Drainage Bucket	K123A88	36	\$163.00
K7924A	48 inch 8.50 cu. ft. Grading Bucket Pre-drilled for bolt on cutting edge. Not authorized for use on models with K7937A thumb.	K1K349A00	400	\$1,775.00
K7878A	Bolt On Cutting Edge for K7924 48" Grading	K165A68	51	\$218.00
PART 3	ATTACHMENTS			
K7937A	HYDRAULIC THUMB KIT (K7915A Quick Coupler Required)	K1K779A92	195	\$2,342.00
K7932	FROST RIPPER	K997A88	315	\$1,313.00
K7940	CANOPY WORK LIGHT KIT	K117A80	6	\$155.00
K7927	TRAVEL ALARM KIT Emits an audible signal when traveling forward or reverse.	K110A96	2	\$146.00
K7938	Steel Crawler Kit Converts tracks from rubber to steel	K4K105A52	1298	\$5,402.00
K7440	BOLT ON RUBBER PAD KIT (400 mm, 15.7") Machine must be equipped with steel tracks. This kit includes 78 bolt on pads to be <u>installed on the existing steel grousers</u> (Individual pads can be ordered separate through parts if needed for individual replacement) Part # 77700-10394	K3K099A28	250	\$4,078.00



K Series U55-4

ORDER CODE	DESCRIPTION	FACTORY NUMBER	APPROX. SHIP WT.	SUGGESTED LIST PRICE
PART 4	ROPS / OPG (Top Guard, Level I)			
K7935	REPLACEMENT 4-POST ROPS / OPG (Top Guard, Level I) CANOPY	K1K188A64	164	\$1,564.00
K7936	REPLACEMENT ROPS / OPG (Top Guard, Level I) CAB	K5K058A56	390	\$6,656.00
	The K7936 cab is configured as a replacement for damaged factory mounted cabs. It does not include cabin electrical wiring, wiper motor, air conditioner, heater, or defroster. Refer to illustrated parts list to order these components.			
K7479	Cab Mirror Kit	K222A68	11	\$293.00
	Includes two side mirrors, one for each side, one rear mirror, and attaching hardware			
K9943A	RETRACTABLE SEAT BELT OPTION (3")	K71A44	3	\$94.00
	As required in some states for OSHA compliance.			

ALLIED ATTACHMENT CONTACTS

Flail Mower Model 30EX	Rocknroll Attachments PO Box 22 Hughson, CA 95326 Tel: (800) 426-5615, Fax: (360) 230-2322 Website:
------------------------	--

Available from Parts

- 70000-73274 Block Heater Kit
- 77700-04753A Radio Kit AM/FM/ WB/ AUX (for Cab models Only)
- 77700-04754A Radio Kit AM/FM/ WB/ AUX/ USB/ iPod/ SAT (for Cab models ONLY)
- 77700-08686 Strobe Light, Class 2, LED, flashing strobe w/ vacuum magnetic mounting
- 77700-08687 Rotating Beacon, Class 1, Halogen (beacon light only) w/ magnetic mounting
- 77700-10379 Wire harness needed for installation of Strobe (77700-08686) and Beacon (77700-08687) on **ROPS machines ONLY**
- RD829-53870 Switch for Strobe (77700-08686) and Beacon (77700-08687) **ROPS Versions**

PART 5 KubotaNOW Telematics Service (each order will require the DCU6700 modem and model specific wiring harness)

DCU6700	AT&T Telematics Modem	K300A20	1	\$395.00
K6704	Excavator Telematics Wiring Harness	K98A80	2	\$130.00
KubotaNOW Telematics Service includes a three (3) year term				



This page intentionally left blank.



KX057-5
Hydraulic Excavator

FEATURES

7" LCD Color Display
 Auto Idler
 Rubber Or Steel Track Models
 4-Post ROPS/OPG (Top Guard, Level I) Canopy or Air
 Conditioned Cab
 Suspension Seat
 Kubota 3 Hydraulic Pump Load Sensing System
 1 Gear, 2 Variable Displacement Pumps
 All Controls Hydraulic Pilot Controls
 Two Operating Pattern Selection System
 Accumulator
 Digital Control Panel
 Attachment Flow Presets, Service Alerts
 Standard Front Dozer Blade w/ Float
 Optional Float Angle Blade w/ Bolt-on Cutting Edge
 360 Degree Full Rotation
 70 Degree Left, 55 Degree Right Boom Swing
 19.8 gpm Adjustable Auxiliary Hydraulics Port 1
 Auxiliary Hydraulics Diverter Valve
 9.8 gpm Adjustable Auxiliary Hydraulics Port 2 Option
 Thumb Bracket And Relief Valves
 Five Second Quick Preheat System
 Key Switch Stop System
 Half Pitch Rubber Tracks
 Self Bleed Fuel System
 Auto-Downshift Two Speed Travel System
 Swivel Negative Brake
 Travel Negative Brake
 Third Line
 Keyless Start – optional
 Rearview Camera – optional
 Air Ride Suspension Seat - optional

BASIC UNITS

KX057-5R1, Rubber Tracks, ROPS/OPG (Top Guard, Level I)
 Canopy, Dozer Blade, Dipper Arm, Counterweight
 KX057-5R1P, Rubber Tracks, ROPS/OPG (Top Guard, Level I)
 Canopy, Dozer Blade, Dipper Arm, Counterweight, SP2
 KX057-5R1A, Rubber Tracks, ROPS/OPG (Top Guard, Level I)
 Canopy, Angle Dozer Blade, Dipper Arm, Counterweight
 KX057-5R1AP, Rubber Tracks, ROPS/OPG (Top Guard, Level I)
 Canopy, Angle Dozer Blade, Dipper Arm, Counterweight, SP2
 KX057-5R3, Rubber Tracks, A/C ROPS/OPG (Top Guard, Level I)
 Cab, Dozer Blade, Dipper Arm, Counterweight
 KX057-5R3P, Rubber Tracks, A/C ROPS/OPG (Top Guard, Level I)
 Cab, Dozer Blade, Dipper Arm, Counterweight, SP2
 KX057-5R3A, Rubber Tracks, A/C ROPS/OPG (Top Guard, Level I)
 Cab, Angle Dozer Blade, Dipper Arm, Counterweight
 KX057-5R3AP, Rubber Tracks, A/C ROPS/OPG (Top Guard, Level I)
 Cab, Angle Dozer Blade, Dipper Arm, Counterweight, SP2
 KX057-5S3A, Steel Tracks, A/C ROPS/OPG (Top Guard, Level I)
 Cab, Angle Dozer Blade, Dipper Arm, Counterweight
 KX057-5S3AP, Steel Tracks, A/C ROPS/OPG (Top Guard, Level I)
 Cab, Angle Dozer Blade, Dipper Arm, Counterweight, SP2

ENGINE

V2607 Kubota CR E5 BH1 Tier 4 Final Diesel Engine
 4 Cylinder, 4 Cycle
 47.6 Gross HP @ 2200 rpm (SAE J1995)
 46.4 Net HP @ 2200 rpm (SAE J1349)

OPERATIONAL DIMENSIONS

Max Digging Depth	12' 9"
Max Digging Radius @ Ground Level	20' 1"
Max Vertical Digging Depth	5' 4"
Max Dumping Height	13' 8.6"

STANDARD DOZER BLADE DIMENSIONS

Width	77.2"
Height	16.1"
Lift Above Ground	17.3"
Drop Below Ground	15.9"

PERFORMANCE

Digging Force @ Bucket	10,172 lbs.
Digging Force @ Dipper Arm	5,463 lbs.
Travel Speed (Low / High)	1.7/3.0 mph
Climbing Ability	36% / 20°
Lift Capacity	3,410 lbs.
<ul style="list-style-type: none"> • Over Front • Blade Grounded • 4.0 Ft. Load Point Height • 12.0 Ft. Load Radius 	

DIMENSIONS AND OPERATING WEIGHT

KX057-5R1, Rubber Tracks, ROPS/OPG (Top Guard, Level I) Canopy, Dozer Blade, Dipper Arm, Counterweight	
Overall Length	18' 1.3"
Overall Width	6' 5.2"
Overall Height	8' 4.4"
Operating Weight*	12,346 lbs.
Ground Clearance	12' 0.2"
KX057-5R3AP, Rubber Tracks, ROPS/OPG (Top Guard, A/C Cab, Angle Dozer Blade, Dipper Arm, Counterweight, SP2	
Overall Length	18' 1.3"
Overall Width	6' 5.2"
Overall Height	8' 4"
Operating Weight*	13,051 lbs.
Ground Clearance	12.0.2"

* Includes operator's weight, 165 lbs.



K Series KX057-5

HOW TO SELECT A KX057-5 EXCAVATOR (Sample Order Information Page)

Below are examples of a complete KX057-5 order. To submit your order, please select the Basic Unit Model that you desire from Part 1. Then select the attachments from Parts 2 and 3 needed to complete your order.

STEP 1)	Select from Part 1 the Basic Unit that fits your needs. For example, choose a KX057-5R1 and get: Base Model, rubber tracks, 4-post ROPS/OPG (Top Guard, Level I) canopy, dozer blade, dipper arm, counterweight, and one service port
STEP 2)	Select from Parts 2 and 3 the attachments necessary to make the unit a complete machine. Choose buckets and quick couplers, thumb

(SAMPLE ORDER)

ORDER CODE	DESCRIPTION	FACTORY NUMBER	APPROX. SHIP WT.	SUGGESTED LIST PRICE
STANDARD UNIT KX057-4R1 COMPLETE				
ORDER AND PRICE				
BASIC UNIT:				
KX057-5R1	Excavator Basic Unit	K54K229A04	12,048	\$71,354.00
	With: Rubber Tracks			
	4-Post ROPS/OPG (Top Guard, Level I) Canopy			
	Dozer Blade			
	Dipper arm			
	Counterweight			
	One Service Port			
ATTACHMENTS:				
K7915A	Quick Coupler	K750A88	96	\$988.00
K7919A	24" 6.3 cu. ft. Trenching Bucket	K1K010A04	180	\$1,329.00
				\$73,671.00
STANDARD UNIT KX057-4R3AP COMPLETE				
ORDER AND PRICE				
BASIC UNIT:				
KX057-5R3AP	Excavator Basic Unit	K62K216A64	12,048	\$81,864.00
	With: Rubber Tracks			
	Air Conditioned			
	ROPS/OPG (Top Guard, Level I) Cab			
	Angle Dozer Blade			
	Dipper arm			
	Counterweight			
	Two Service Ports			
ATTACHMENTS:				
K7915A	Quick Coupler	K750A88	96	\$988.00
K7937A	Hydraulic Thumb	K1K779A92	195	\$2,342.00
K7919A	24" 6.3 cu. ft. Trenching Bucket	K1K010A04	180	\$1,329.00
				\$86,523.00

K Series KX057-5

ORDER CODE	DESCRIPTION	FACTORY NUMBER	APPROX. SHIP WT.	SUGGESTED LIST PRICE
PART 1	MODEL KX057-5 BASIC UNITS			
KX057-5R1	Excavator Basic Unit	K54K229A04	12,048	\$71,354.00
	With: Rubber Tracks, 4-Post ROPS/OPG (Top Guard, Level I) Canopy, Dozer Blade, Dipper Arm, Counterweight			
KX057-5R1P	Excavator Basic Unit	K55K504A32	12,048	\$73,032.00
	With: Rubber Tracks, 4-Post ROPS/OPG (Top Guard, Level I) Canopy, Dozer Blade, Dipper Arm, Counterweight, SP2			
KX057-5R1A	Excavator Basic Unit	K56K460A40	12,048	\$74,290.00
	With: Rubber Tracks, 4-Post ROPS/OPG (Top Guard, Level I) Canopy, Angle Blade, Dipper Arm, Counterweight			
KX057-5R1AP	Excavator Basic Unit	K57K735A68	12,048	\$75,968.00
	With: Rubber Tracks, 4-Post ROPS/OPG (Top Guard, Level I) Canopy, Angle Blade, Dipper Arm, Counterweight, SP2			
KX057-5R3	Excavator Basic Unit	K59K220A72	12,048	\$77,922.00
	With: Rubber Tracks, A/C ROPS/OPG (Top Guard, Level I) Cab, Dozer Blade, Dipper Arm, Counterweight			
KX057-5R3P	Excavator Basic Unit	K60K496A00	12,048	\$79,600.00
	With: Rubber Tracks, A/C ROPS/OPG (Top Guard, Level I) Cab, Dozer Blade, Dipper Arm, Counterweight, SP2			
KX057-5R3A	Excavator Basic Unit	K61K452A08	12,048	\$80,858.00
	With: Rubber Tracks, A/C ROPS/OPG (Top Guard, Level I) Cab, Angle Blade, Dipper Arm, Counterweight			
KX057-5R3AP	Excavator Basic Unit	K62K216A64	12,048	\$81,864.00
	With: Rubber Tracks, A/C ROPS/OPG (Top Guard, Level I) Cab, Angle Blade, Dipper Arm, Counterweight, SP2			
KX057-5S3A	Excavator Basic Unit	K62K647A56	12,048	\$82,431.00
	With: Steel Tracks, A/C ROPS/OPG (Top Guard, Level I) Cab, Angle Blade, Dipper Arm, Counterweight			
KX057-5S3AP	Excavator Basic Unit	K63K412A12	12,048	\$83,437.00
	With: Steel Tracks, A/C ROPS/OPG (Top Guard, Level I) Cab, Angle Blade, Dipper Arm, Counterweight, SP2			

KUBOTA**K Series KX057-5**

ORDER CODE	DESCRIPTION	FACTORY NUMBER	APPROX. SHIP WT.	SUGGESTED LIST PRICE
PART 2	QUICK ATTACH BUCKETS			
K7915A	Quick Coupler Includes two mounting pins, 1 locking pin and hardware.	K750A88	96	\$988.00
K7916	Bucket Hangers Set of two ear blanks. Converts buckets to quick coupler style. Modification to match bucket contour required.	K269A04	97	\$354.00
K7917A	12 inch 3.00 cu. ft. Trenching Bucket	K941A64	218	\$1,239.00
K7918A	18 inch 4.50 cu. ft. Trenching Bucket The K7918A bucket has four teeth. The K7937A thumb tines contact the end of the teeth and do not mesh between the teeth.	K956A08	155	\$1,258.00
K7918AC	18 inch 4.50 cu. ft. Trenching Bucket This is the same bucket as K7918A (WITHOUT shanks for teeth)	K956A08	240	\$1,258.00
K7919A	24 inch 6.30 cu. ft. Trenching Bucket	K1K010A04	180	\$1,329.00
K7919AC	24 inch 6.30 cu. ft. Trenching Bucket This is the same bucket as K7919A (WITHOUT shanks for teeth)	K1K010A04	180	\$ 1,329.00
K7920A	30 inch 8.00 cu. ft. Trenching Bucket	K1K094A40	180	\$1,440.00
K7921A	36 inch 8.00 cu. ft. Trenching Bucket	K1K534A44	180	\$2,019.00
K7926	36 inch 3.48 cu. ft. Cemetery Bucket	K1K098A96	265	\$1,446.00
K7922A	36 inch 6.64 cu. ft. Drainage Bucket Pre-drilled for bolt on cutting edge.	K943A92	270	\$1,242.00
K7474A	Bolt On Cutting Edge for K7922A 36" Drainage Bucket	K123A88	36	\$163.00
K7924A	48 inch 8.50 cu. ft. Grading Bucket Pre-drilled for bolt on cutting edge. Not authorized for use on models with K7937A thumb.	K1K349A00	400	\$1,775.00
K7878A	Bolt On Cutting Edge for K7924A 48" Grading Bucket	K165A68	51	\$218.00

KUBOTA**K Series KX057-5**

PART 3	ATTACHMENTS			
K7937A	HYDRAULIC THUMB KIT K7915 Quick Coupler required.	K1K779A92	195	\$2,342.00
K7932	FROST RIPPER	K997A88	315	\$1,313.00
K7270	CANOPY WORK LIGHT KIT	K117A80	6	\$155.00
K7278	TRAVEL ALARM KIT Emits an audible signal when traveling forward or reverse.	K136A80	6	\$180.00
K7280	Steel Crawler Kit (Converts tracks from rubber to steel)	K4K105A52	439	\$5,402.00
K7440	BOLT ON RUBBER PAD KIT (400 mm, 15.7") Machine must be equipped with steel tracks. This kit includes 78 bolt on pads to be <u>installed on the existing steel grousers</u> (Individual pads can be ordered separate through parts if needed for individual replacement) Part # 77700-10394	K3K099A28	250	\$4,078.00



K Series KX057-5

ORDER CODE	DESCRIPTION	FACTORY	APPROX.	SUGGESTED LIST
PART 4	ROPS / OPG (Top Guard, Level I)			
K7272	REPLACEMENT 4-POST ROPS / OPG (Top Guard, Level I)	K1K188A64	6	\$1,564.00
K7275	REPLACEMENT ROPS / OPG (Top Guard, Level I) CAB The K7936 cab is configured as a replacement for damaged	K5K058A56	6	\$6,656.00
K7479	Cab Mirror Kit Includes two side mirrors, one for each side, one rear mirror, and attaching hardware	K222A68	11	\$293.00
K9943A	RETRACTABLE SEAT BELT OPTION (3") As required in some states for OSHA compliance.	K71A44	3	\$94.00
K7283	Keyless Start Kit	K151A24	1	\$199.00
K7284	Rearview Camera	K265A24	1	\$349.00
K7286	Air Suspension Seat Kit (CAB Only)	K645A24	86	\$849.00
K7281	Front Guard Kit (CAB Only)	K3K078A0	66.13999939	\$4,050.00

ALLIED ATTACHMENT CONTACTS

Flail Mower	Rockhound Attachments
Model 30EX	PO Box 22 Hughson, CA 95326 Tel: (800) 426-5615, Fax: (360) 230-2322 Website: http://www.Rockhound.com

Available from Parts

- 70000-73274 Block Heater Kit
- 77700-04753B Radio Kit AM/FM/ WB/ AUX (for Cab models Only)
- 77700-04754B Radio Kit AM/FM/ WB/ AUX/ USB/ iPod/ SAT (for Cab models ONLY)
- 77700-04755B Radio Kit
- 77700-08686 Strobe Light, Class 2, LED, flashing strobe w/ vacuum magnetic mounting
- 77700-08687 Rotating Beacon, Class 1, Halogen (beacon light only) w/ magnetic mounting
- 77700-10379 Wire harness needed for installation of Strobe (77700-08686) and Beacon (77700-08687) on **ROPS**
- RD829-53870 Switch for Strobe (77700-08686) and Beacon (77700-08687) **ROPS** Versions

PART 5	KubotaNOW Telematics Service (each order will require the DCU6700 modem and model specific wiring harness)			
DCU6700	AT&T Telematics Modem	K300A20	1.3	\$395.00
K6704A	Excavator Telematics Wiring Harness	K112A48	1.75	\$148.00

KubotaNOW Telematics Service includes a three (3) year term



KX057-4
Hydraulic Excavator

FEATURES

Eco Plus System
 Auto Idler
 Rubber Or Steel Track Models
 4-Post ROPS/OPG (Top Guard, Level I) Canopy or Air
 Conditioned Cab
 Suspension Seat
 Kubota 3 Hydraulic Pump Load Sensing System
 1 Gear, 2 Variable Displacement Pumps
 All Controls Hydraulic Pilot Controls
 Two Operating Pattern Selection System
 Accumulator
 Digital Control Panel
 Attachment Flow Presets, Service Alerts
 Standard Front Dozer Blade w/ Float
 Optional Float Angle Blade w/ Bolt-on Cutting Edge
 360 Degree Full Rotation
 70 Degree Left, 55 Degree Right Boom Swing
 19.8 gpm Adjustable Auxiliary Hydraulics Port 1
 Auxiliary Hydraulics Diverter Valve
 9.8 gpm Adjustable Auxiliary Hydraulics Port 2 Option
 Thumb Bracket And Relief Valves
 Five Second Quick Preheat System
 Key Switch Stop System
 Half Pitch Rubber Tracks
 Self Bleed Fuel System
 Auto-Downshift Two Speed Travel System
 Swivel Negative Brake
 Travel Negative Brake
 Third Line

BASIC UNITS

KX057-4R1, Rubber Tracks, ROPS/OPG (Top Guard, Level I)
 Canopy, Dozer Blade, Dipper Arm, Counterweight
 KX057-4R1P, Rubber Tracks, ROPS/OPG (Top Guard,
 Level I) Canopy, Dozer Blade, Dipper Arm,
 Counterweight, SP2
 KX057-4R1A, Rubber Tracks, ROPS/OPG (Top Guard,
 Level I) Canopy, Angle Dozer Blade, Dipper Arm,
 Counterweight
 KX057-4R1AP, Rubber Tracks, ROPS/OPG (Top Guard, Level I)
 Canopy, Angle Dozer Blade, Dipper Arm, Counterweight, SP2
 KX057-4R3, Rubber Tracks, A/C ROPS/OPG (Top Guard,
 Level I) Cab, Dozer Blade, Dipper Arm, Counterweight
 KX057-4R3P, Rubber Tracks, A/C ROPS/OPG (Top Guard,
 Level I) Cab, Dozer Blade, Dipper Arm, Counterweight, SP2
 KX057-4R3A, Rubber Tracks, A/C ROPS/OPG (Top Guard,
 Level I) Cab, Angle Dozer Blade, Dipper Arm, Counterweight,
 KX057-4R3AP, Rubber Tracks, A/C ROPS/OPG (Top Guard,
 Level I) Cab, Angle Dozer Blade, Dipper Arm, Counterweight,
 SP2
 KX057-4S3A, Steel Tracks, A/C ROPS/OPG (Top Guard,
 Level I) Cab, Angle Dozer Blade, Dipper Arm,
 Counterweight
 KX057-4S3AP, Steel Tracks, A/C ROPS/OPG (Top Guard,
 Level I) Cab, Angle Dozer Blade, Dipper Arm,
 Counterweight, SP2

ENGINE

V2607 Kubota DI CRS Tier 4 Final Diesel Engine
 4 Cylinder, 4 Cycle
 47.6 Gross HP @ 2200 rpm (SAE J1995)
 45.2 Net HP @ 2200 rpm (SAE J1349)

OPERATIONAL DIMENSIONS

Max Digging Depth	12' 8.2"
Max Digging Radius @ Ground Level	20' 0.5"
Max Vertical Digging Depth	5' 7.3"
Max Dumping Height	13' 8.6"

STANDARD DOZER BLADE DIMENSIONS

Width	77.2"
Height	16.1"
Lift Above Ground	17.3"
Drop Below Ground	16.1"

PERFORMANCE

Digging Force @ Bucket (K7919)	10,485 lbs.
Digging Force @ Dipper Arm	5,644 lbs.
Travel Speed (Low / High)	1.8/3.1 mph
Climbing Ability	36% / 20°
Lift Capacity	3,410 lbs.
<ul style="list-style-type: none"> Over Front Blade Grounded 4.0 Ft. Load Point Height 12.0 Ft. Load Radius 	

DIMENSIONS AND OPERATING WEIGHT

KX057-4R1, Rubber Tracks, ROPS/OPG (Top Guard, Level I) Canopy, Dozer Blade, Dipper Arm, Counterweight	
Overall Length	18' 1.3"
Overall Width	6' 5.2"
Overall Height	8' 4.4"
Operating Weight*	12,200 lbs.
Ground Clearance	12' 0.2"
KX057-4R3AP, Rubber Tracks, ROPS/OPG (Top Guard, A/C Cab, Angle Dozer Blade, Dipper Arm, Counterweight, SP2	
Overall Length	18' 1.3"
Overall Width	6' 5.2"
Overall Height	8' 4"
Operating Weight*	12,820 lbs.
Ground Clearance	12.0.2"

* Includes operator's weight, 175 lbs.



K Series KX057-4

HOW TO SELECT A KX057-4 EXCAVATOR (Sample Order Information Page)

Below are examples of a complete KX057-4 order. To submit your order, please select the Basic Unit Model that you desire from Part 1. Then select the attachments from Parts 2 and 3 needed to complete your order.

STEP 1)	Select from Part 1 the Basic Unit that fits your needs. For example, choose a KX057-4R1 and get: Base Model, rubber tracks, 4-post ROPS/OPG (Top Guard, Level I) canopy, dozer blade, dipper arm, counterweight, and one service port
STEP 2)	Select from Parts 2 and 3 the attachments necessary to make the unit a complete machine. Choose buckets and quick couplers, thumb

(SAMPLE ORDER)

ORDER CODE	DESCRIPTION	FACTORY NUMBER	APPROX. SHIP WT.	SUGGESTED LIST PRICE
STANDARD UNIT KX057-4R1 COMPLETE ORDER AND PRICE				
BASIC UNIT:				
KX057-4R1	Excavator Basic Unit	K53K691A72	12,048	\$70,647.00
	With: Rubber Tracks			
	4-Post ROPS/OPG (Top Guard, Level I) Canopy			
	Dozer Blade			
	Dipper arm			
	Counterweight			
	One Service Port			
ATTACHMENTS:				
K7915A	Quick Coupler	K750A88	96	\$988.00
K7919A	24" 6.3 cu. ft. Trenching Bucket	K1K010A04	180	\$1,329.00
				<u>\$72,964.00</u>
STANDARD UNIT KX057-4R3AP COMPLETE ORDER AND PRICE				
BASIC UNIT:				
KX057-4R3AP	Excavator Basic Unit	K61K630A68	12,048	\$81,093.00
	With: Rubber Tracks			
	Air Conditioned ROPS/OPG (Top Guard, Level I) Cab			
	Angle Dozer Blade			
	Dipper arm			
	Counterweight			
	Two Service Ports			
ATTACHMENTS:				
K7915A	Quick Coupler	K750A88	96	\$988.00
K7937A	Hydraulic Thumb	K1K779A92	195	\$2,342.00
K7919A	24" 6.3 cu. ft. Trenching Bucket	K1K010A04	180	\$1,329.00
				<u>\$85,752.00</u>

KUBOTA**K Series KX057-4**

ORDER CODE	DESCRIPTION	FACTORY NUMBER	APPROX. SHIP WT.	SUGGESTED LIST PRICE
PART 1	MODEL KX057-4 BASIC UNITS			
KX057-4R1	Excavator Basic Unit	K53K691A72	12,048	\$70,647.00
	With: Rubber Tracks, 4-Post ROPS/OPG (Top Guard, Level I) Canopy, Dozer Blade, Dipper Arm, Counterweight			
KX057-4R1P	Excavator Basic Unit	K54K967A00	12,048	\$72,325.00
	With: Rubber Tracks, 4-Post ROPS/OPG (Top Guard, Level I) Canopy, Dozer Blade, Dipper Arm, Counterweight, SP2			
KX057-4R1A	Excavator Basic Unit	K55K923A84	12,048	\$73,584.00
	With: Rubber Tracks, 4-Post ROPS/OPG (Top Guard, Level I) Canopy, Angle Blade, Dipper Arm, Counterweight			
KX057-4R1AP	Excavator Basic Unit	K57K199A12	12,048	\$75,262.00
	With: Rubber Tracks, 4-Post ROPS/OPG (Top Guard, Level I) Canopy, Angle Blade, Dipper Arm, Counterweight, SP2			
KX057-4R3	Excavator Basic Unit	K58K634A00	12,048	\$77,150.00
	With: Rubber Tracks, A/C ROPS/OPG (Top Guard, Level I) Cab, Dozer Blade, Dipper Arm, Counterweight			
KX057-4R3P	Excavator Basic Unit	K59K910A04	12,048	\$78,829.00
	With: Rubber Tracks, A/C ROPS/OPG (Top Guard, Level I) Cab, Dozer Blade, Dipper Arm, Counterweight, SP2			
KX057-4R3A	Excavator Basic Unit	K60K866A12	12,048	\$80,087.00
	With: Rubber Tracks, A/C ROPS/OPG (Top Guard, Level I) Cab, Angle Blade, Dipper Arm, Counterweight			
KX057-4R3AP	Excavator Basic Unit	K61K630A68	12,048	\$81,093.00
	With: Rubber Tracks, A/C ROPS/OPG (Top Guard, Level I) Cab, Angle Blade, Dipper Arm, Counterweight, SP2			
KX057-4S3A	Excavator Basic Unit	K62K062A36	12,048	\$81,661.00
	With: Steel Tracks, A/C ROPS/OPG (Top Guard, Level I) Cab, Angle Blade, Dipper Arm, Counterweight			
KX057-4S3AP	Excavator Basic Unit	K62K826A92	12,048	\$82,667.00
	With: Steel Tracks, A/C ROPS/OPG (Top Guard, Level I) Cab, Angle Blade, Dipper Arm, Counterweight, SP2			

KUBOTA**K Series KX057-4**

ORDER CODE	DESCRIPTION	FACTORY NUMBER	APPROX. SHIP WT.	SUGGESTED LIST PRICE
PART 2	QUICK ATTACH BUCKETS			
K7915A	Quick Coupler Includes two mounting pins, 1 locking pin and hardware.	K750A88	96	\$988.00
K7916	Bucket Hangers Set of two ear blanks. Converts buckets to quick coupler style. Modification to match bucket contour required.	K269A04	97	\$354.00
K7917A	12 inch 3.00 cu. ft. Trenching Bucket	K941A64	218	\$1,239.00
K7918A	18 inch 4.50 cu. ft. Trenching Bucket The K7918 bucket has four teeth. The K7937 thumb tines contact the end of the teeth and do not mesh between the teeth.	K956A08	155	\$1,258.00
K7918AC	18 inch 4.50 cu. ft. Trenching Bucket This is the same bucket as K7918A (WITHOUT shanks for teeth)	K956A08	240	\$1,258.00
K7919A	24 inch 6.30 cu. ft. Trenching Bucket	K1K010A04	180	\$1,329.00
K7919AC	24 inch 6.30 cu. ft. Trenching Bucket This is the same bucket as K7919A (WITHOUT shanks for teeth)	K1K010A04	180	\$1,329.00
K7920A	30 inch 8.00 cu. ft. Trenching Bucket	K1K094A40	180	\$1,440.00
K7921A	36 inch 8.00 cu. ft. Trenching Bucket	K1K534A44	180	\$2,019.00
K7926	36 inch 3.48 cu. ft. Cemetery Bucket	K1K098A96	265	\$1,446.00
K7922A	36 inch 6.64 cu. ft. Drainage Bucket Pre-drilled for bolt on cutting edge	K943A92	270	\$1,242.00
K7474A	Bolt On Cutting Edge for K7922 36" Drainage Bucket	K123A88	36	\$163.00
K7924A	48 inch 8.50 cu. ft. Grading Bucket Pre-drilled for bolt on cutting edge	K1K349A00	400	\$1,775.00
K7878A	Bolt On Cutting Edge for K7924A 48" Grading Bucket	K165A68	51	\$218.00
PART 3	ATTACHMENTS			
K7937A	HYDRAULIC THUMB KIT (K7915A Quick Coupler	K1K779A92	195	\$2,342.00
K7932	FROST RIPPER	K997A88	315	\$1,313.00
K7940	CANOPY WORK LIGHT KIT	K117A80	6	\$155.00
K7927	TRAVEL ALARM KIT (Emits an audible signal when traveling forward & reverse)	K110A96	2	\$146.00
K7938	Steel Crawler Kit Converts tracks from rubber to steel	K4K105A52	1298	\$5,402.00



K Series KX057-4

ORDER CODE	DESCRIPTION	FACTORY NUMBER	APPROX. SHIP WT.	SUGGESTED LIST PRICE
K7440	BOLT ON RUBBER PAD KIT (400 mm, 15.7") Machine must be equipped with steel tracks. This kit includes 78 bolt on pads to be installed on the existing steel grousers (Individual pads can be ordered separate through parts if needed for individual replacement) Part # 77700-10394	K3K099A28	250	\$4,078.00
PART 4	ROPS / OPG (Top Guard, Level I)			
K7933	REPLACEMENT 4-POST ROPS / OPG (Top	K1K188A64	250	\$1,564.00
K7934	REPLACEMENT ROPS / OPG (Top Guard, Level I) CAB The K7934 cab is configured as a replacement for damaged factory mounted cabs. It does not include cabin electrical wiring, wiper motor, air conditioner, heater, or defroster. Refer to illustrated parts list to order these components.	K5K058A56	390	\$6,656.00
K7479	Cab Mirror Kit Includes two side mirrors, one for each side, one rear mirror, and attaching hardware	K222A68	11	\$293.00
K9943A	RETRACTABLE SEAT BELT OPTION (3") As required in some states for OSHA compliance.	K71A44	3	\$94.00

ALLIED ATTACHMENT CONTACTS

Flail Mower	Rockhound Attachments
Model 30EX	PO Box 22 Hughson, CA 95326 Tel: (800) 426-5615, Fax: (360) 230-2322 <u>Website:</u> http://www.Rockhound.com

Available from Parts

- 70000-73274 Block Heater Kit
- 77700-04753A Radio Kit AM/FM/ WB/ AUX (for Cab models Only)
- 77700-04754A Radio Kit AM/FM/ WB/ AUX/ USB/ iPod/ SAT (for Cab models ONLY)
- 77700-08686 Strobe Light, Class 2, LED, flashing strobe w/ vacuum magnetic mounting
- 77700-08687 Rotating Beacon, Class 1, Halogen (beacon light only) w/ magnetic mounting
- 77700-10379 Wire harness needed for installation of Strobe (77700-08686) and Beacon (77700-08687) on **ROPS**
- RD829-53870 Switch for Strobe (77700-08686) and Beacon (77700-08687) **ROPS** Versions

PART 5 KubotaNOW Telematics Service (each order will require the DCU6700 modem and model specific wiring harness)

DCU6700	AT&T Telematics Modem	K300A20	1	\$395.00
K6704	Excavator Telematics Wiring Harness KubotaNOW Telematics Service includes a three (3) year term	K98A80	2	\$130.00



This page intentionally left blank.



KX080-4S2 Excavator
Tight Tail Swing Utility Class Excavator

FEATURES

Auto Idle
 Rubber Or Steel Track Models
 Air Conditioned ROPS/OPG (Top Guard, Level I) Cab
 Cloth Suspension Seat
 Kubota 2 Hydraulic Pump Load Sensing System
 2 Variable Displacement Pumps
 All Controls Hydraulic Pilot Controls
 Two Operating Pattern Selection System
 Accumulator
 Standard Front Dozer Blade w/ Float
 Optional Float Angle Blade w/ Bolt-on Cutting Edge
 360 Degree Full Rotation
 70 Degree Left, 60 Degree Right Boom Swing
 26.4 gpm Adjustable Auxiliary Hydraulics Port 1
 14.7 gpm Adjustable Auxiliary Hydraulics Port 2
 Thumb Bracket and Relief Valves
 Five Second Quick Preheat System
 Key Switch Stop System
 Half Pitch Rubber Tracks
 Self-Bleed Fuel System
 Auto-Downshift Two Speed Travel System
 Swivel Negative Brake
 Travel Negative Brake
 Third Line

BASIC UNITS

KX080-4S2R3, Rubber Tracks, Air Conditioned
 ROPS/OPG (Top Guard, Level I) Cab, Dozer Blade,
 Dipper Arm, Counter weight
 KX080-4S2R3A, Rubber Tracks, Air Conditioned
 ROPS/OPG (Top Guard, Level I) Cab, Angle Dozer
 Blade, Dipper Arm, Counter weight
 KX080-4S2S3, Steel Tracks, Air Conditioned
 ROPS/OPG (Top Guard, Level I) Cab, Dozer Blade,
 Dipper Arm, Counter weight
 KX080-4S2S3A, Steel Tracks, Air Conditioned
 ROPS/OPG (Top Guard, Level I) Cab, Angle Dozer
 Blade, Dipper Arm, Counter weight
 KX080-4S2W3, 24" Wide Steel Tracks, Air Conditioned
 ROPS/OPG (Top Guard, Level I) Cab, Wide Dozer
 Blade, Dipper Arm, Counter weight

ENGINE

V3307 Kubota DI CRS Turbo Tier 4 Final Diesel Engine
 4 Cylinder, 4 Cycle
 66.6 Gross HP @ 2000 rpm (SAE J1995)
 62.3 Net HP @ 2200 rpm (SAE J1349)

OPERATIONAL DIMENSIONS

Max Digging Depth	15' 1"
Max Digging Radius @ Ground Level	23' 6.3"
Max Vertical Digging Depth	12' 7.6"
Max Dumping Height	17' 2.7"

DOZER BLADE DIMENSIONS

Width	86.6"
Height	19.7"
Lift Above Ground	19.7"
Drop Below Ground	19.7"

PERFORMANCE

Digging Force @ Bucket (K7427)	14,660 lbs.
Digging Force @ Dipper Arm	8,554 lbs.
Travel Speed (Low / High)	1.7/3.1mph
Climbing Ability	36% / 20°
Lift Capacity	6,500 lbs.

- Over Front
- Blade Grounded
- 4.0 Ft. Load Point Height
- 12.0 Ft. Load Radius

DIMENSIONS AND OPERATING WEIGHT

KX080-4S2R3, Rubber Tracks, Air Cond. ROPS/OPG (Top Guard, Level I) Cab, Dozer Blade, Dipper Arm, Counter weight	
Overall Length	21' 1.9"
Overall Width	7' 2.6"
Overall Height	8' 4"
Operating Weight*	18,280 lbs.
Ground Clearance	15.4"
KX080-4S2S3, Steel Tracks, Air Cond. ROPS/OPG (Top Guard, Level I) Cab, Dozer Blade, Dipper Arm, Counter weight	
Overall Length	21' 1.9"
Overall Width	7' 2.6"
Overall Height	8' 4"
Operating Weight*	18,390 lbs.
Ground Clearance	15.4"

* Includes operator's weight, 175 lbs.



K Series KX080-4S2

HOW TO SELECT A KX080-4S2 EXCAVATOR (Sample Order Information Page)

Below are examples of a complete KX080-4S2 order. To submit your order, please select the Basic Unit Model that you desire from Part 1. Then select the attachments from Parts 2 and 3 needed to complete your order.

STEP 1)	Select from Part 1 the Basic Unit that fits your needs. For example, choose a KX080-4S2R3A and get: Base model, rubber tracks, air conditioned ROPS/OPG (Top Guard, Level I) cab, angle dozer blade, dipper arm, and counterweight.
STEP 2)	Select from Parts 2 and 3 the attachments necessary to make the unit a complete machine. Choose buckets and quick couplers, thumb

(SAMPLE ORDER)

ORDER CODE	DESCRIPTION	FACTORY NUMBER	APPROX. SHIP WT.	SUGGESTED LIST PRICE
STANDARD UNIT KX080-4S2R3A COMPLETE				
BASIC UNIT:				
KX080-4S2R3A	Excavator Basic Unit	K85K943A84	19,456	\$113,084.00
With:	Rubber Tracks Air Conditioned ROPS/OPG (Top Guard, Level I) Cab Angle Dozer Blade Dipper arm Counterweight			
ATTACHMENTS:				
K7429A	36" 12.1 cu. ft. Pin-on TRENCHING BUCKET	K2K077A84	527	\$2,734.00
				\$115,818.00
STANDARD UNIT KX080-4S2S3 COMPLETE ORDER AND PRICE				
BASIC UNIT:				
KX080-4S2S3	Excavator Basic Unit	K81K719A76	18,706	\$107,526.00
With:	Steel Tracks (450 mm, Air Conditioned ROPS/OPG (Top Guard, Level I) Cab Dozer Blade Dipper arm Counterweight			
ATTACHMENTS:				
K7402A	QUICK COUPLER	K1K292A76	140	\$1,701.00
K7429A	36" 12.1 cu. ft. TRENCHING BUCKET	K2K077A84	527	\$2,734.00
K7405A	HYDRAULIC THUMB	K3K383A52	370	\$4,452.00
				\$116,413.00

KUBOTA**K Series KX080-4S2**

ORDER CODE	DESCRIPTION	FACTORY NUMBER	APPROX. SHIP WT.	SUGGESTED LIST PRICE
PART 1	MODEL KX080-4S BASIC UNITS			
KX080-4S2R3	EXCAVATOR BASIC UNIT	K81K719A76	18,596	\$107,526.00
With:	Rubber Tracks, Air Conditioned ROPS/OPG (Top Guard, Level I) Cab, Dozer Blade, Dipper Arm, Counterweight			
KX080-4S2R3A	EXCAVATOR BASIC UNIT	K85K943A84	19,456	\$113,084.00
With:	Rubber Tracks, Air Conditioned ROPS/OPG (Top Guard, Level I) Cab, Angle Dozer Blade, Dipper Arm, Counterweight			
KX080-4S2S3	EXCAVATOR BASIC UNIT	K81K719A76	18,706	\$107,526.00
With:	Steel Tracks (450 mm, 17.7"), Air Conditioned ROPS/OPG (Top Guard, Level I) Cab, Dozer Blade, Dipper Arm, Counterweight			
KX080-4S2S3A	EXCAVATOR BASIC UNIT	K85K943A84	19,566	\$113,084.00
With:	Steel Tracks (450 mm, 17.7"), Air Conditioned ROPS/OPG (Top Guard, Level I) Cab, Angle Dozer Blade, Dipper Arm, Counterweight			
KX080-4S2SW3	EXCAVATOR BASIC UNIT	K84K668A56	18,707	\$111,406.00
With:	Wide Steel Tracks (600 mm, 24"), Air Conditioned ROPS/OPG (Top Guard, Level I) Cab, 92.5" Wide Dozer Blade, Dipper Arm, Counterweight			

KUBOTA**K Series KX080-4S2**

ORDER CODE	DESCRIPTION	FACTORY NUMBER	APPROX. SHIP WT.	SUGGESTED LIST PRICE
PART 2	BUCKETS			
	PIN-ON BUCKETS (Order Attaching Pins from Parts)			
K7416	18 inch 6.5 cu. ft. TRENCHING BUCKET	K1K516A96	405	\$1,996.00
K7417	24 inch 9.4 cu. ft. TRENCHING BUCKET	K1K949A40	460	\$2,565.00
K7418	30 inch 10.8 cu. ft. TRENCHING BUCKET	K2K164A48	505	\$2,848.00
K7419	36 inch 12.1 cu. ft. TRENCHING BUCKET	K2K411A48	539	\$3,173.00
K7436	48 inch 10.8 cu. ft. GRADING BUCKET	K2K241A24	565	\$2,949.00
K7437	54 inch 12.2 cu. ft. GRADING BUCKET	K2K343A84	615	\$3,084.00
K7438	60 inch 13.5 cu. ft. GRADING BUCKET	K2K408A44	665	\$3,169.00
	QUICK ATTACH BUCKETS			
K7402A	QUICK COUPLER Includes two mounting pins, 1 locking pin, and hardware.	K1K292A76	140	\$1,701.00
K7407	BUCKET HANGERS Set of two ear blanks. Converts buckets to quick coupler style. Modification to match bucket contour required.	K392A92	139	\$517.00
K7426A	18 inch 6.5 cu. ft. TRENCHING BUCKET The K7426 bucket has four teeth. The K7405 thumb tines contact the end of the teeth and do not mesh between the teeth.	K1K434A88	393	\$1,888.00
K7427A	24 inch 9.4 cu. ft. TRENCHING BUCKET	K1K714A56	448	\$2,256.00
K7428A	30 inch 10.8 cu. ft. TRENCHING BUCKET	K1K861A24	493	\$2,449.00
K7429A	36 inch 12.1 cu. ft. TRENCHING BUCKET	K2K077A84	527	\$2,734.00
K7441	48 inch 10.8 cu. ft. GRADING BUCKET	K2K191A84	553	\$2,884.00
K7441A	48 inch 10.8 cu. ft. GRADING BUCKET	K1K961A56	565	\$2,581.00
K7442	54 inch 12.2 cu. ft. GRADING BUCKET K7494 Additional Weight Kit required with K7405A Thumb	K2K294A44	603	\$3,019.00
K7442A	54 inch 12.2 cu. ft. GRADING BUCKET K7494 Additional Weight Kit required with K7405A Thumb applications	K2K052A76	615	\$2,701.00
K7444A	54 inch 9.6 cu. ft. TILT GRADING BUCKET Includes hoses and fittings. Tilts 45° each direction K7494 Additional Weight Kit required with K7405A Thumb applications	K6K048A08	850	\$7,958.00
K7443	60 inch 13.5 cu. ft. GRADING BUCKET K7494 Additional Weight Kit required with K7405A Thumb applications	K2K384A88	652	\$3,138.00
K7443A	60 inch 13.5 cu. ft. GRADING BUCKET K7494 Additional Weight Kit required with K7405A Thumb	K2K130A28	665	\$2,803.00
K7448	60 inch GRADING BLADE	K2K039A84	500	\$2,684.00

KUBOTA**K Series KX080-4S2**

ORDER CODE	DESCRIPTION	FACTORY NUMBER	APPROX. SHIP WT.	SUGGESTED LIST PRICE
K7451	BOLT-ON CUTTING EDGE For K7436 and K7441 48" grading buckets	K146A68	79	\$193.00
K7451A	BOLT-ON CUTTING EDGE For K7436 and K7441 48" grading buckets	K131A48	79	\$173.00
K7452	BOLT-ON CUTTING EDGE For K7437, K7442, and K7444 54" grading buckets	K169A48	89	\$223.00
K7452A	BOLT-ON CUTTING EDGE For K7437, K7442, and K7444 54" grading buckets	K150A48	89	\$198.00
K7453	BOLT-ON CUTTING EDGE For K7438, and K7443 60" grading buckets	K183A16	109	\$241.00
K7453A	BOLT-ON CUTTING EDGE For K7438, and K7443 60" grading buckets	K163A40	109	\$215.00
K7405A	HYDRAULIC THUMB KIT K7402 quick coupler required	K3K383A52	370	\$4,452.00
PART 3	ATTACHMENTS (Cont.)			
K7449A	Brush Guard Kit	K2K567A28	300	\$3,378.00
K4080	FLAIL BRUSH SHREDDER Quick coupler mount, integrated thumb saddle, hoses, hydraulic quick couplers, safety chain debris deflector guards, manual	K13K847A96	1400	\$18,221.00
K4081	REPLACEMENT BLADE KIT FOR K4080 SHREDDER	K486A40	91	\$640.00
K7462	EXCAVATING RAKE, 36", Pin-on	K3K555A28	533	\$4,678.00
K7463	EXCAVATING RAKE, 36", Quick Attach	K3K406A32	555	\$4,482.00
K7464	EXCAVATING RAKE, 48", Pin-on	K3K895A76	720	\$5,126.00
K7465	EXCAVATING RAKE, 48", Quick Attach	K3K546A92	707	\$4,667.00
K7467	FROST RIPPER, 24", Pin-On	K1K282A12	315	\$1,687.00
K7466	FROST RIPPER, 24", Quick Attach	K1K231A20	295	\$1,620.00
K7468	SOLID TINE GRAPPLE, 36", Pin-on	K5K609A56	1015	\$7,381.00
K7471	COMPACTION WHEEL, 18", Pin-On	K5K087A44	980	\$6,694.00

KUBOTA**K Series KX080-4S2**

ORDER CODE	DESCRIPTION	FACTORY NUMBER	APPROX. SHIP WT.	SUGGESTED LIST PRICE
K7492	STEEL CRAWLER KIT (450 mm, 17.7") Convert tracks from rubber to steel***This Kit (7492) is ONLY compatible with Super Series and Super Series 2 machines. K7482A is required for non "Super Series" machines.	K5K436A28	1877	\$7,153.00
K7481	REPLACEMENT BOLT-ON RUBBER SHOE KIT (450 mm, 17.7") [Mounting hardware for steel shoes will be used to install rubber pads] Convert steel tracks to composite tracks. Machine must already have steel tracks installed. Includes 78 track shoes. Removal of existing steel pads is required and these composite pads are installed in place of steel pads (Individual pads can be ordered separate through parts if needed for individual replacement) Part #RD819-22810	K4K794A84	300	\$6,309.00
K7439	BOLT ON RUBBER PAD KIT (450 mm, 17.7") Machine must be equipped with steel tracks. This kit includes 78 bolt on pads to be installed on the existing steel grousers (Individual pads can be ordered separate through parts if needed for individual replacement) Part #77700-09186	K3K502A08	716	\$4,608.00
K7493	STEEL CRAWLER KIT (600 mm, 23.6") Convert tracks from rubber to steel. The K7446 weld-on dozer blade extensions are recommended for the K7493. *** NOT authorized for angle blade models *** This Kit (K7493) is ONLY	K5K902A92	300	\$7,767.00
K7446	DOZER BLADE EXTENSION KIT Kit consists of left / right blade extensions, two tie down labels, and an Installation Manual. The extensions are welded to the dozer blade to match the width of the K7493 Steel Track	K334A40	48	\$440.00
K7491	TRAVEL ALARM KIT Emits an audible signal when traveling forward or reverse. ***This Kit (K7491) is ONLY compatible with Super Series and Super Series 2 machines. K7445 is required for non "Super Series" version	K97A28	1	\$128.00
K7494	ADDITIONAL WEIGHT KIT Bolts on to the existing counter weight. Increases minimum tail turning radius from 4' 9.5" to 4' 11" ***This Kit (K7494) is ONLY compatible with Super Series and Super Series 2 machines K7459 is required for non "Super Series" version	K845A12	440	\$1,112.00
K9798	Hydraulic Case Drain Kit This kit is an additional line that allows oil to return back to tank for the purpose of a motor case drain	K265A24	30	\$ 349.00
PART 4	ROPS / OPG (Top Guard, Level I)			
K7469B	REPLACEMENT ROPS / OPG (Top Guard, Level I) CAB The K7469 cab is configured as a replacement for damaged factory mounted cabs. It does not include cabin electrical wiring, wiper motor, air conditioner, heater, or defroster.	K7K055A08	463	\$9,283.00
K9943A	RETRACTABLE SEAT BELT OPTION (3") As required in some states for OSHA compliance. *** Fits all versions of KX080-4 machines (-4, -4s, -4S2) Cab pre-wired with switch. A new bracket must be created for the installation. See installation instructions.	K71A44	3	\$94.00



PART 5 KubotaNOW Telematics Service (each order will require the DCU6700 modem and model specific wiring harness)

DCU6700	AT&T Telematics Modem	K300A20	1	\$395.00
K6706	Excavator Telematics Wiring Harness	K98A80	2	\$130.00

KubotaNOW Telematics Service includes a three (3) year term

Available from Parts

- 77700-04753 Radio Kit AM/FM/ WB/ AUX
- 77700-04754 Radio Kit AM/FM/ WB/ AUX/ USB/ iPod/ SAT
- 77700-08686 Strobe Light, Class 2, LED, flashing strobe w/ vacuum magnetic mounting
- 77700-08687 Rotating Beacon, Class 1, Halogen (beacon light only) w/ magnetic mounting
- 77700-08260 Block Heater

******* Kit Numbers for Previous Model KX080-4 *******

******* The Listed Kits WILL NOT interchange with the KX080-4S "Super Series" or "Super Series 2"**

K7445	TRAVEL ALARM KIT (For non "Super Series" KX080-4) Emits an audible signal when traveling forward or reverse.	K66A12	1	\$87.00
-------	--	--------	---	---------

K7459	ADDITIONAL WEIGHT KIT (For non "Super Series" KX080-4) Bolts on to the existing counter weight. Increases minimum tail turning radius from 4' 9.5" to 4' 11"	K845A12	440	\$1,112.00
-------	---	---------	-----	------------





K Series Replacement Engines

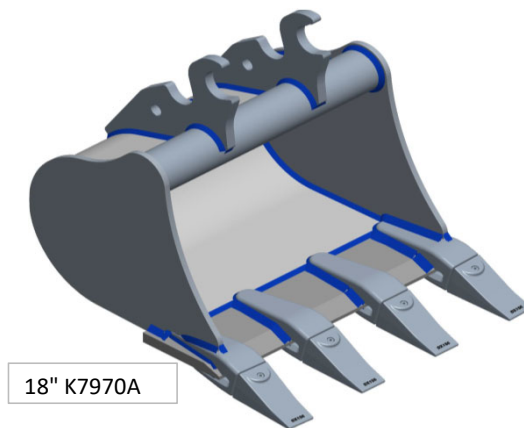
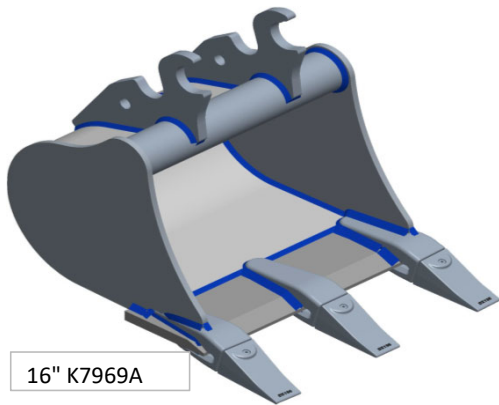
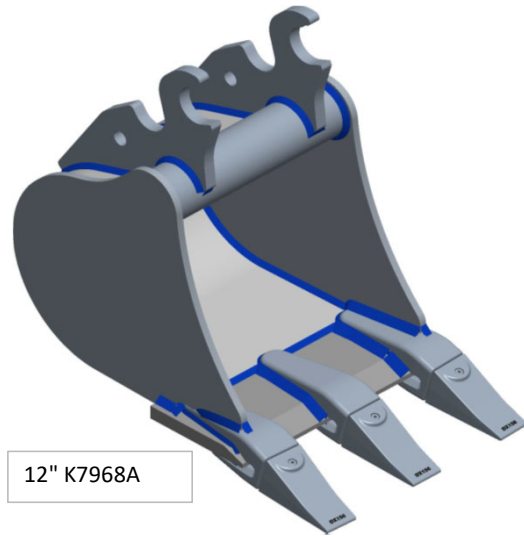
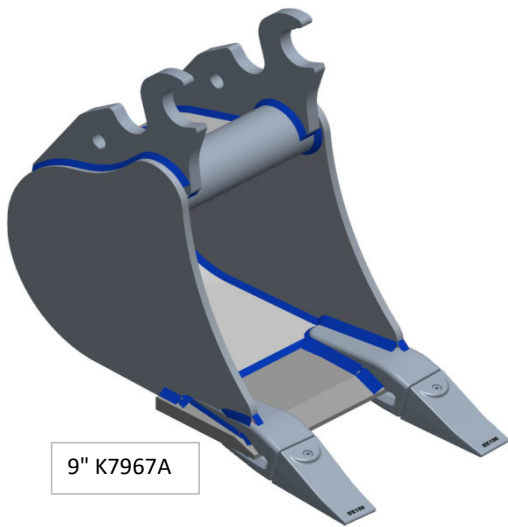
ORDER CODE	DESCRIPTION	FACTORY NUMBER	APPROX. SHIP WT.	SUGGESTED LIST PRICE
------------	-------------	-------------------	---------------------	-------------------------

Effective June 6, 2014 all replacement engines must be ordered through the Parts Department.

See Parts Bulletin
DPB-2014-011 R01

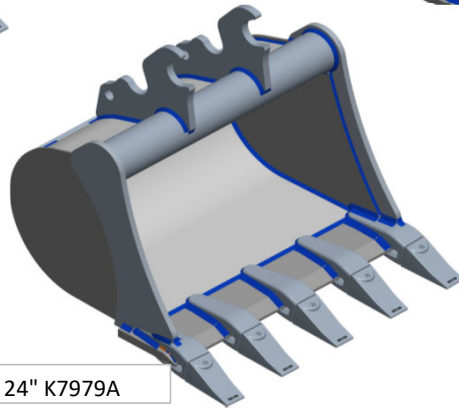
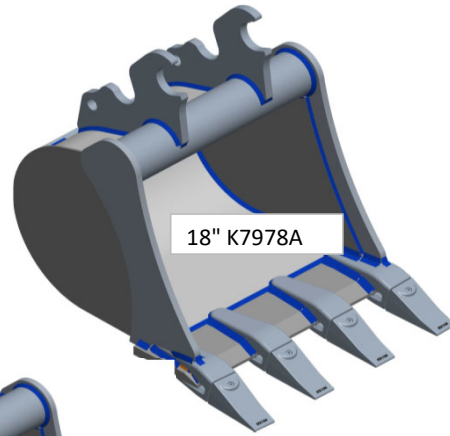
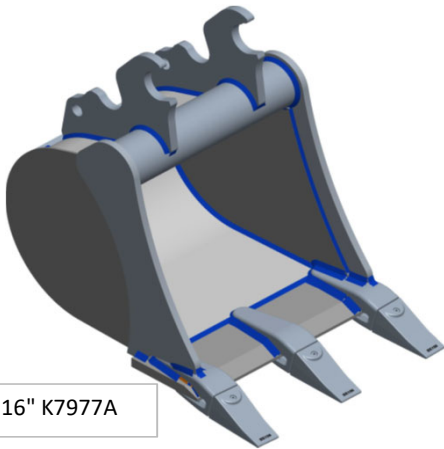
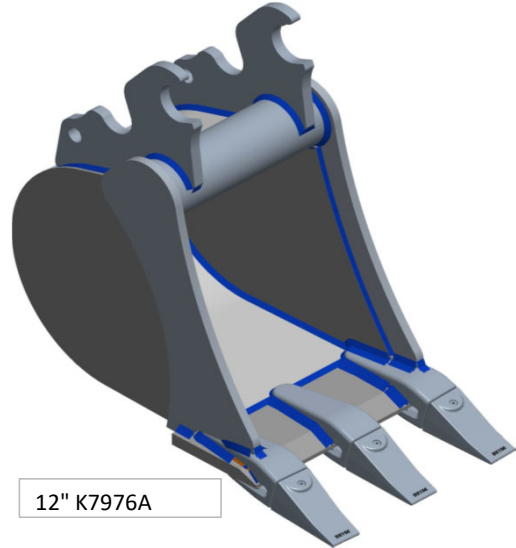
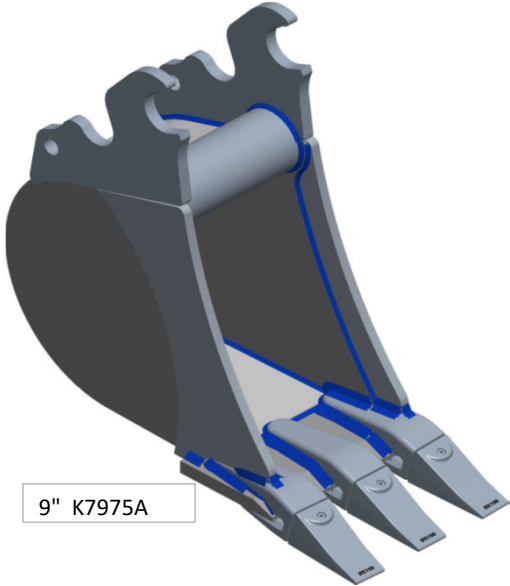
K and U Series Buckets

U17 & KX018-4 Popular Quick Attach Buckets



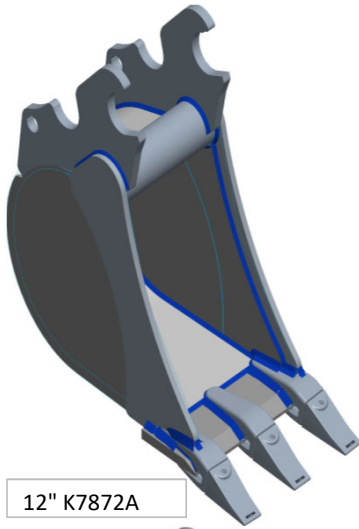
K and U Series Buckets

U27-4 Popular Quick Attach Buckets

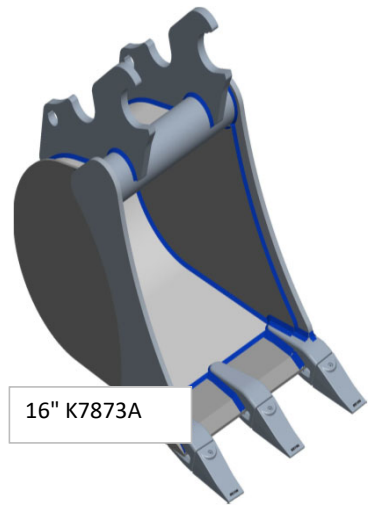


K and U Series Buckets

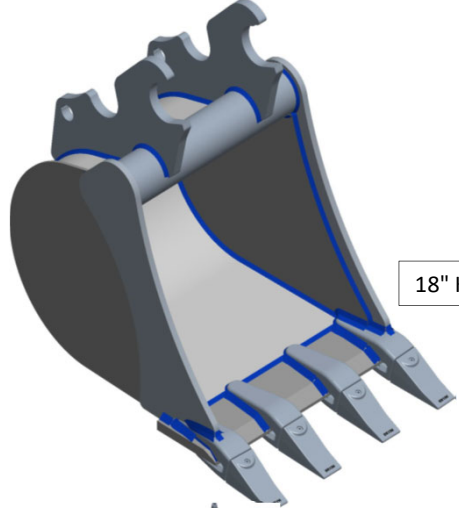
KX71-3, KX033-4, U35, KX040-4 Popular Quick Attach Buckets



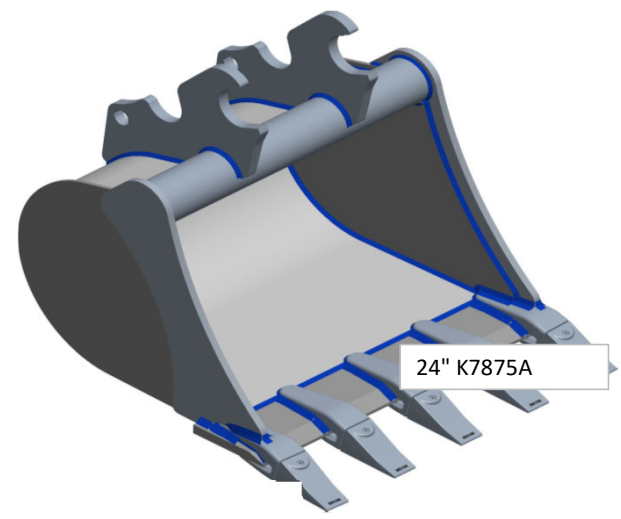
12" K7872A



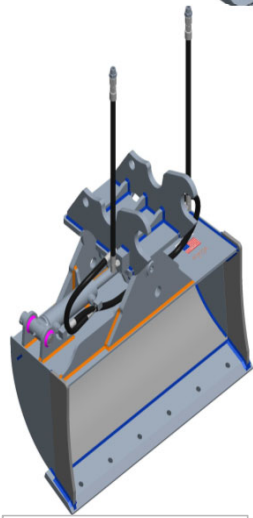
16" K7873A



18" K7874A



24" K7875A



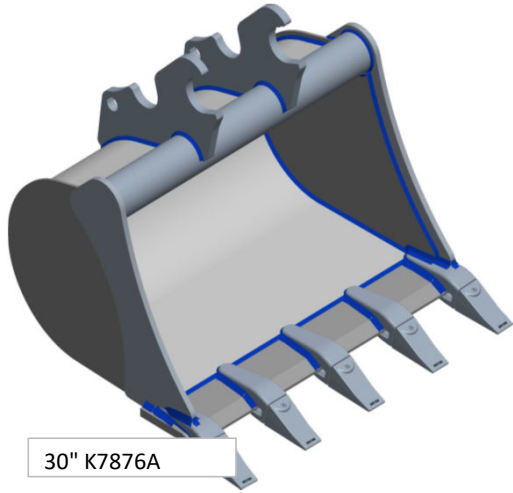
36" Tilt K7473A



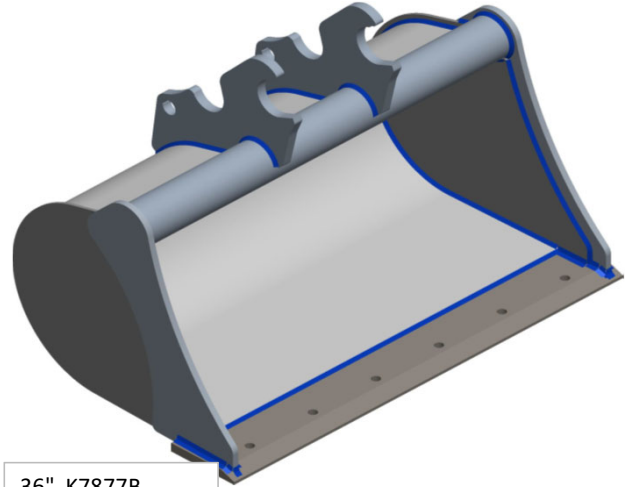
Thumb Kit--
K7910A
A new dipper arm pin with grease zirk must be ordered through parts when ordered for a KX71-3
Recommended thumb

K and U Series Buckets

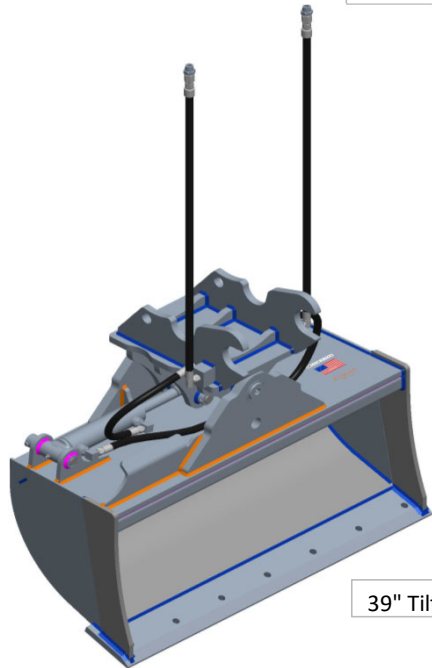
Approved Buckets for KX040-4 Application **ONLY**



30" K7876A



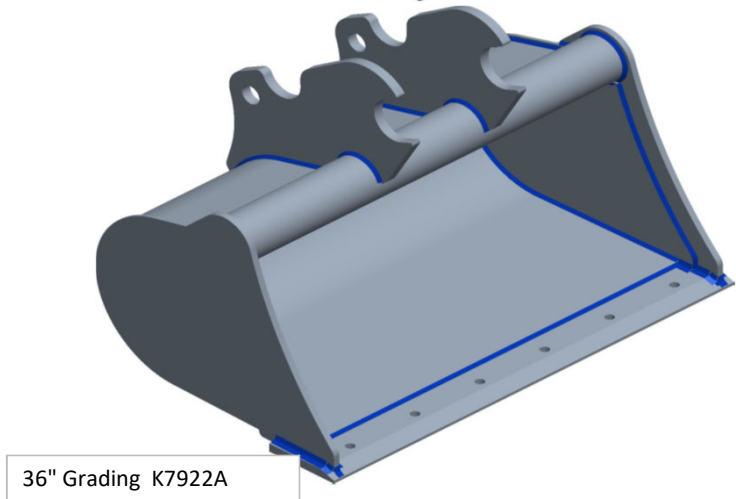
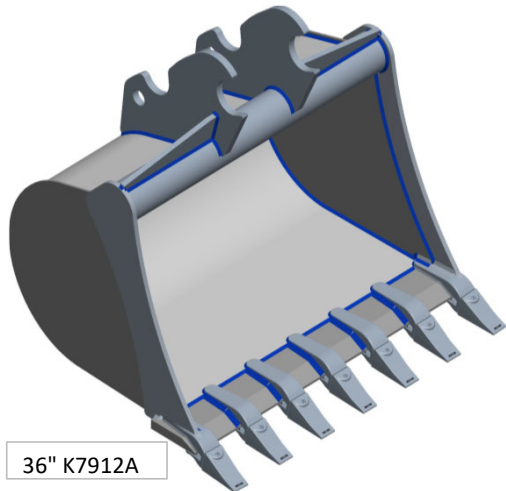
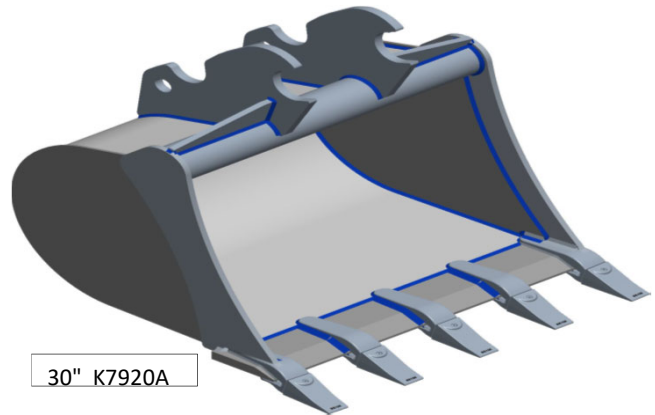
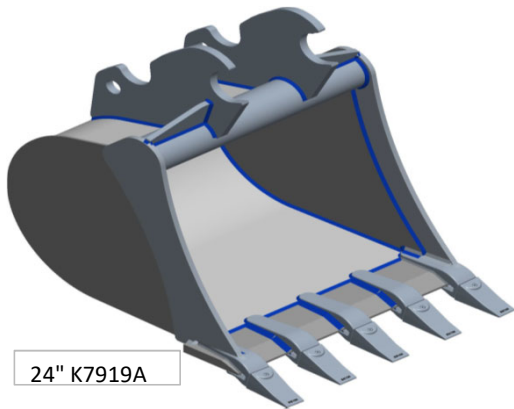
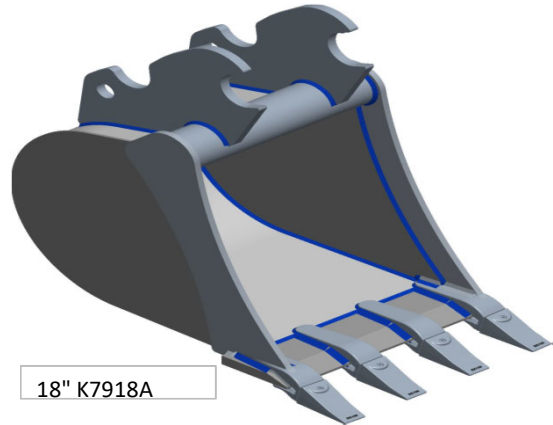
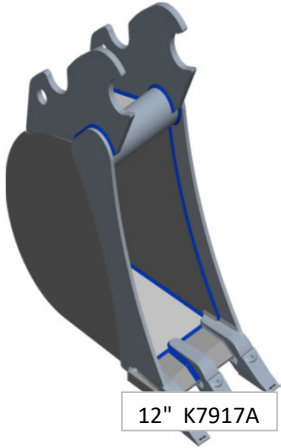
36" K7877B



39" Tilt K7454A

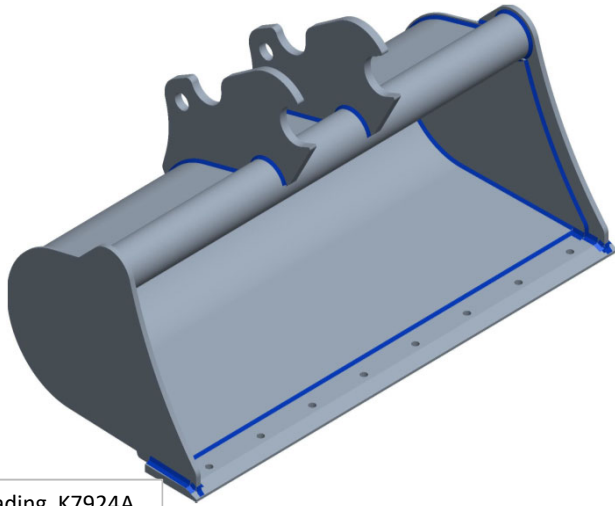
K and U Series Buckets

Includes U55-4, KX057-5 U55-5, & KX057-5 Quick Attach Buckets

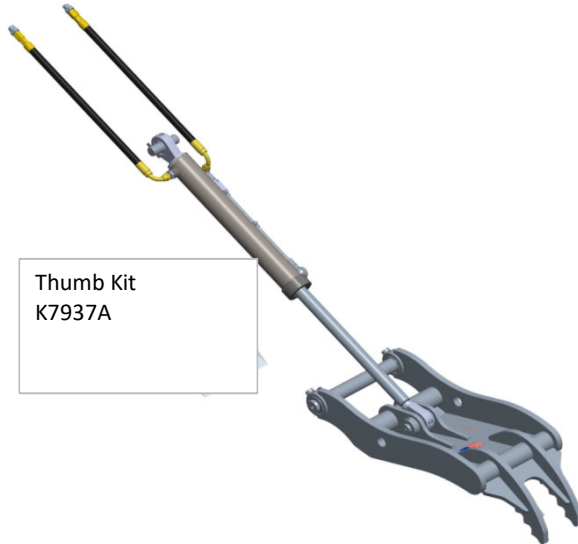


K and U Series Buckets

U55 & KX057 Buckets Continued..



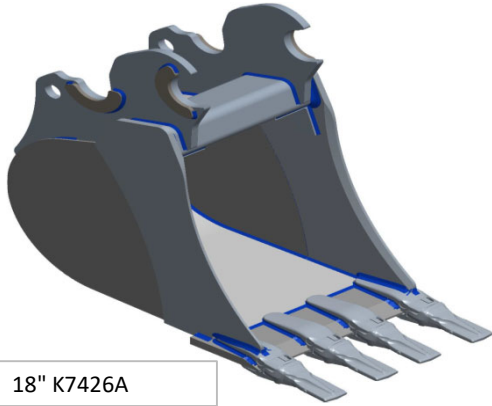
48" Grading K7924A



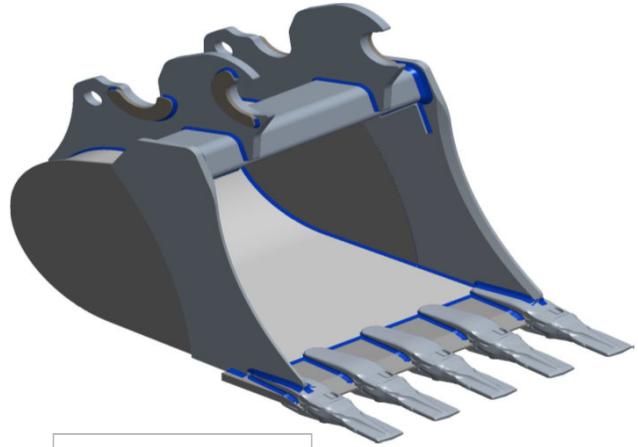
Thumb Kit
K7937A

K and U Series Buckets

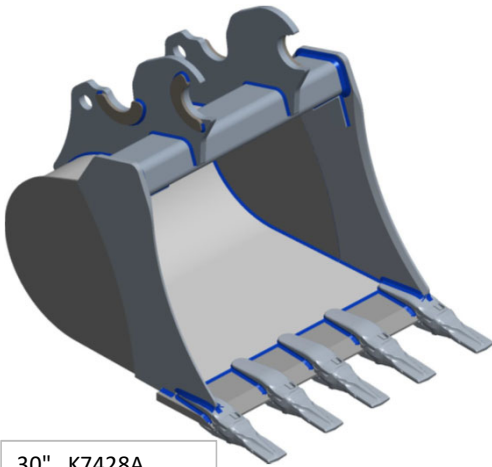
KX080-4S2 Quick Attach Buckets



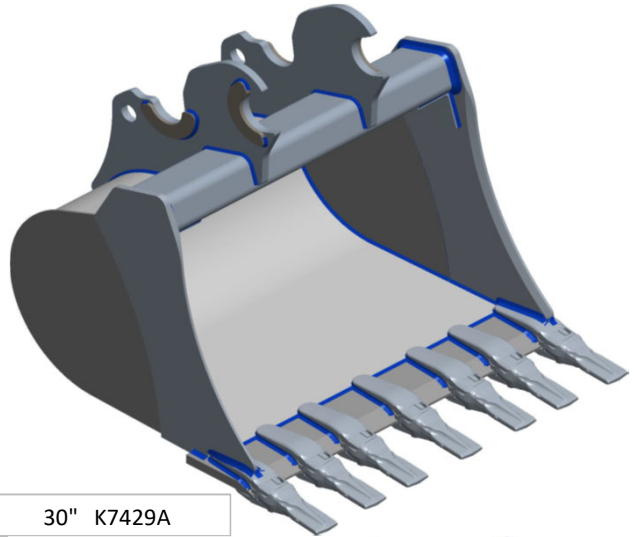
18" K7426A



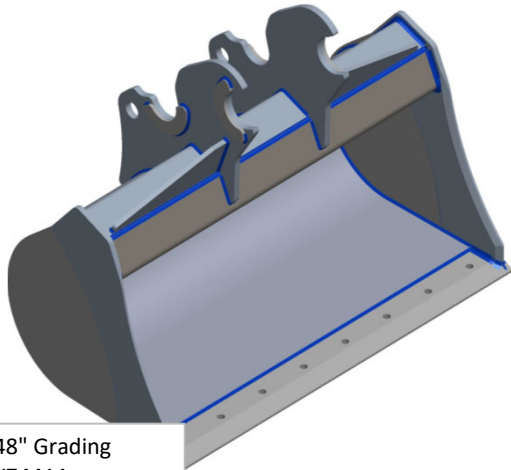
24" K7427A



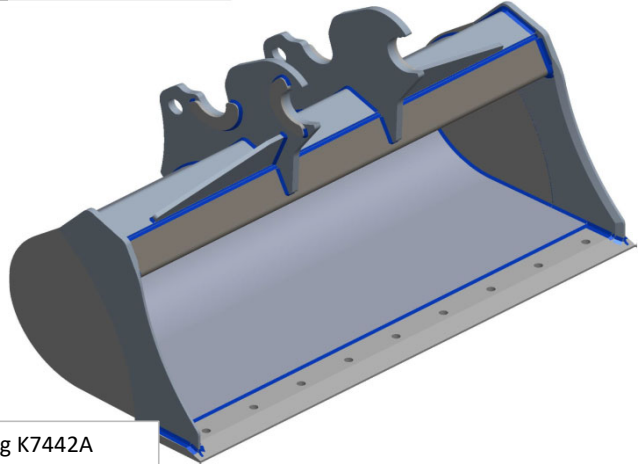
30" K7428A



30" K7429A



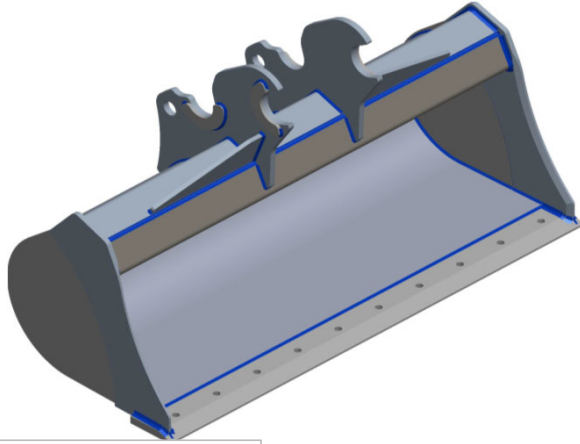
48" Grading
K7441A



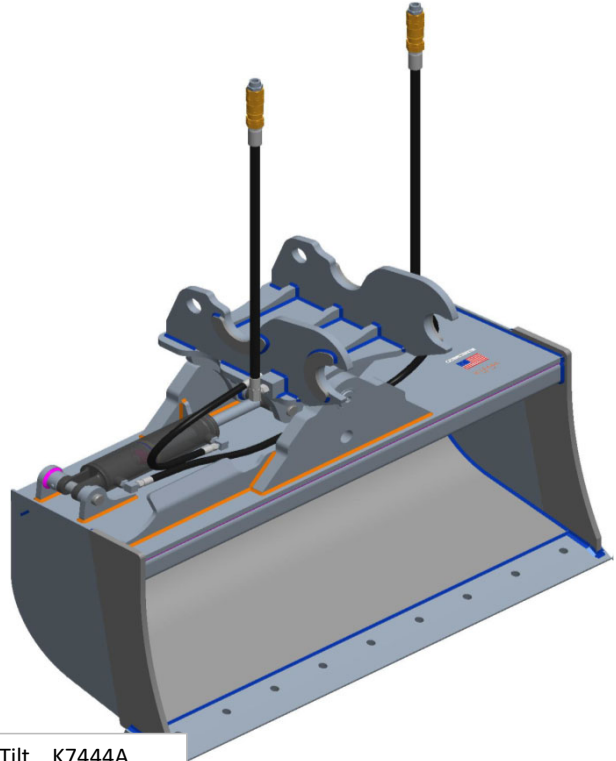
54" Grading K7442A

K and U Series Buckets

KX080-4S2 Cont.



60" Grading K7443A



60" Tilt K7444A



Thumb
K7905A